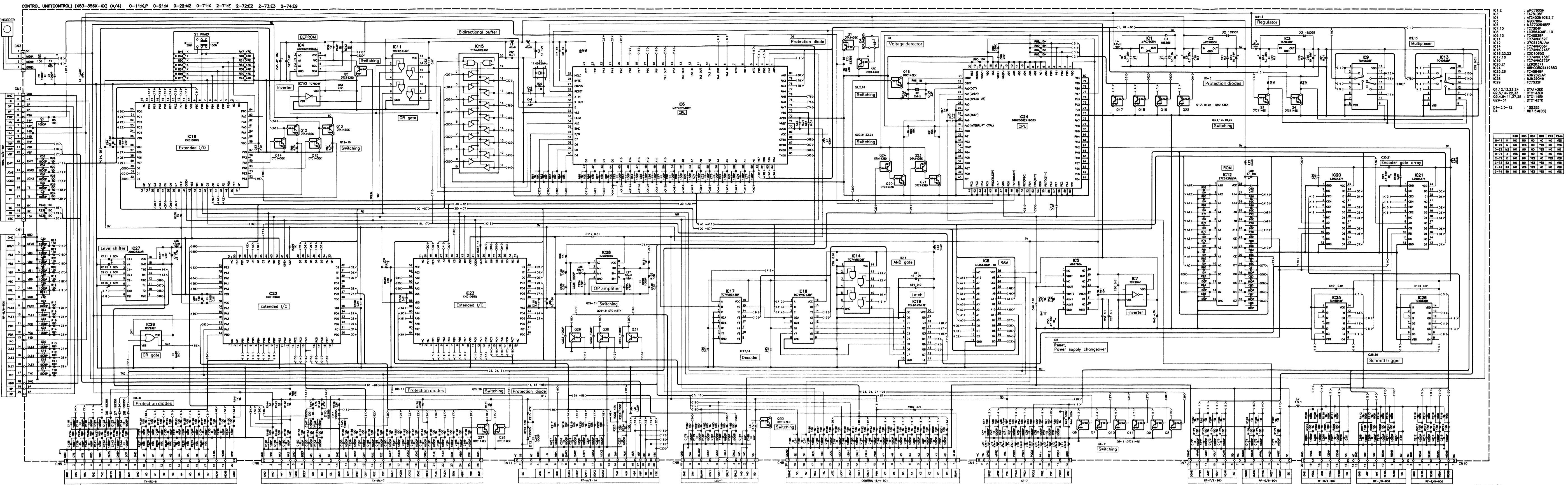


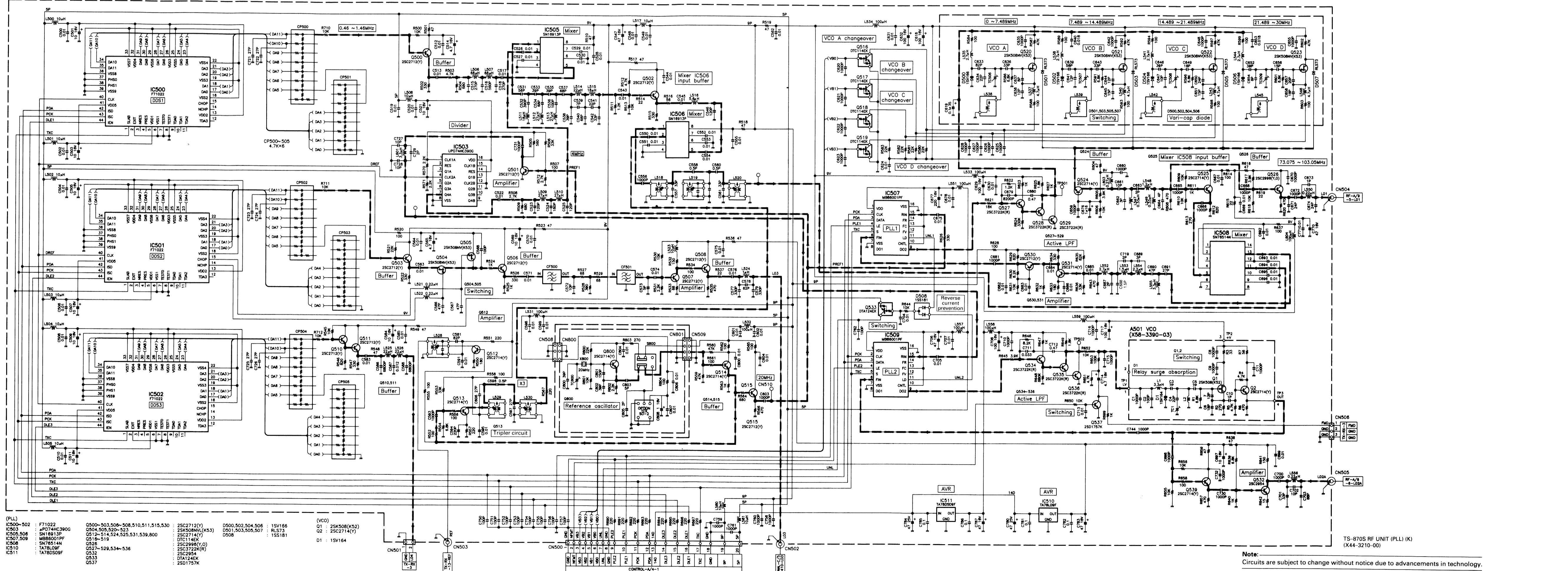
SCHEMATIC DIAGRAM

B52-0606-00

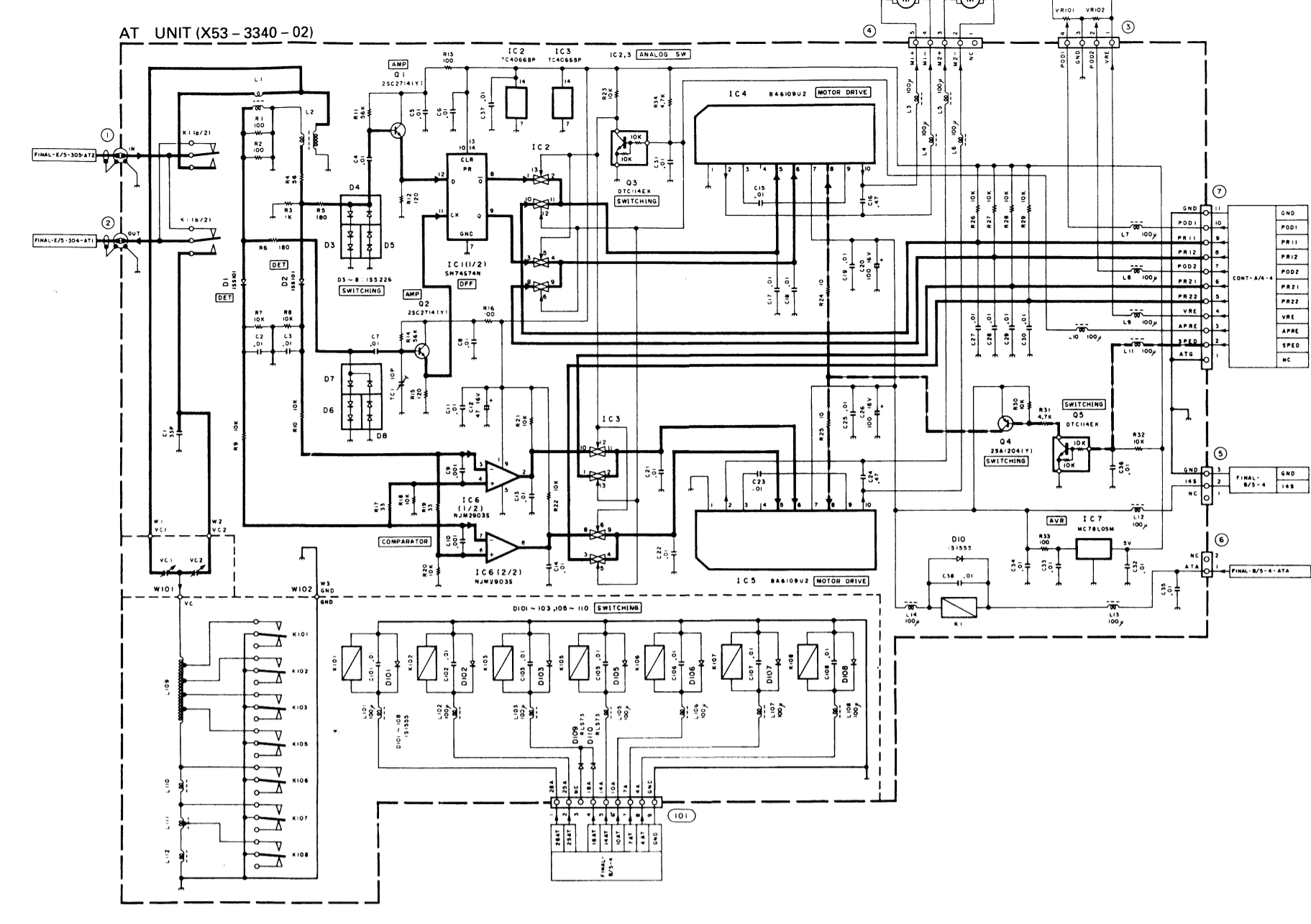
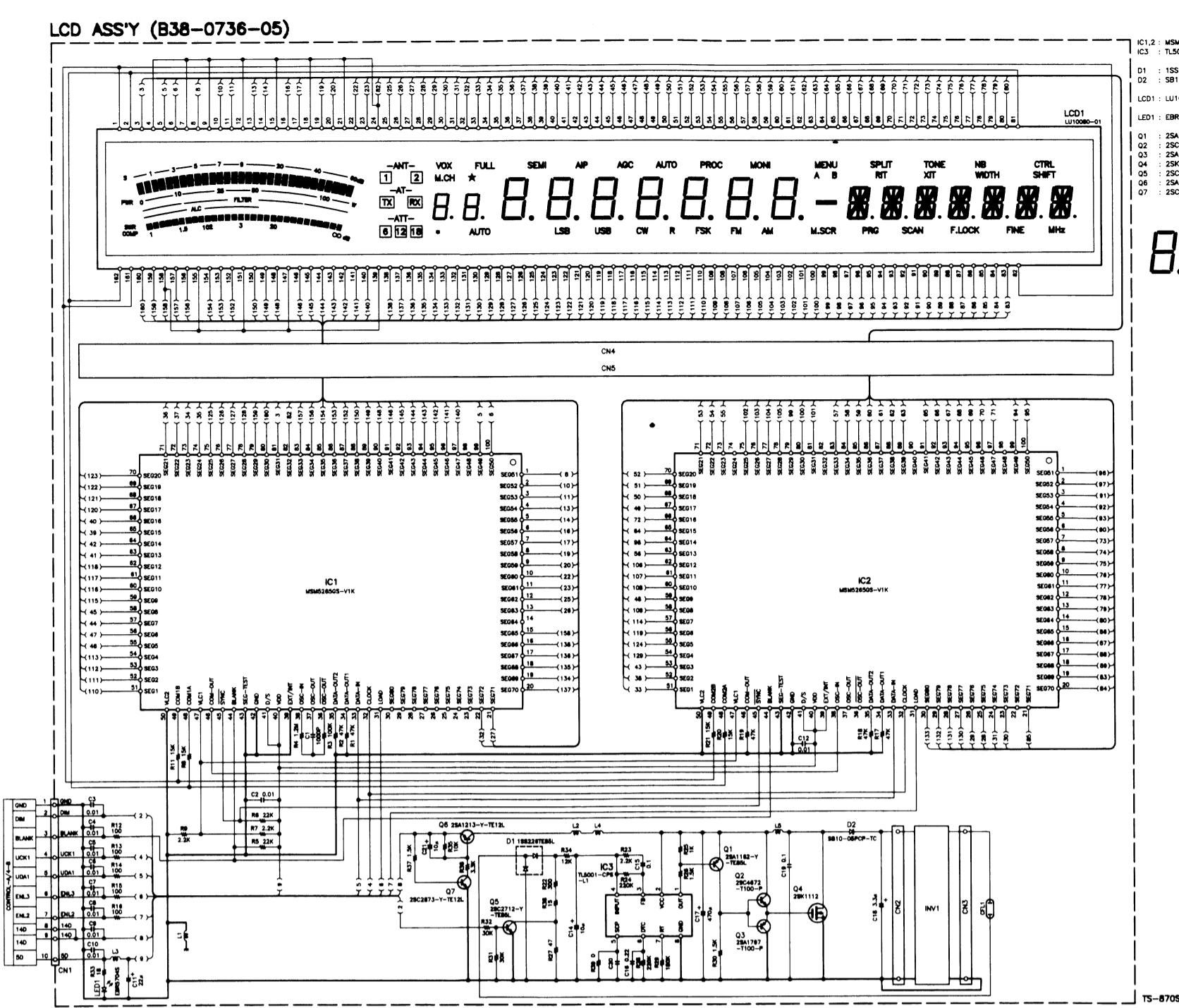
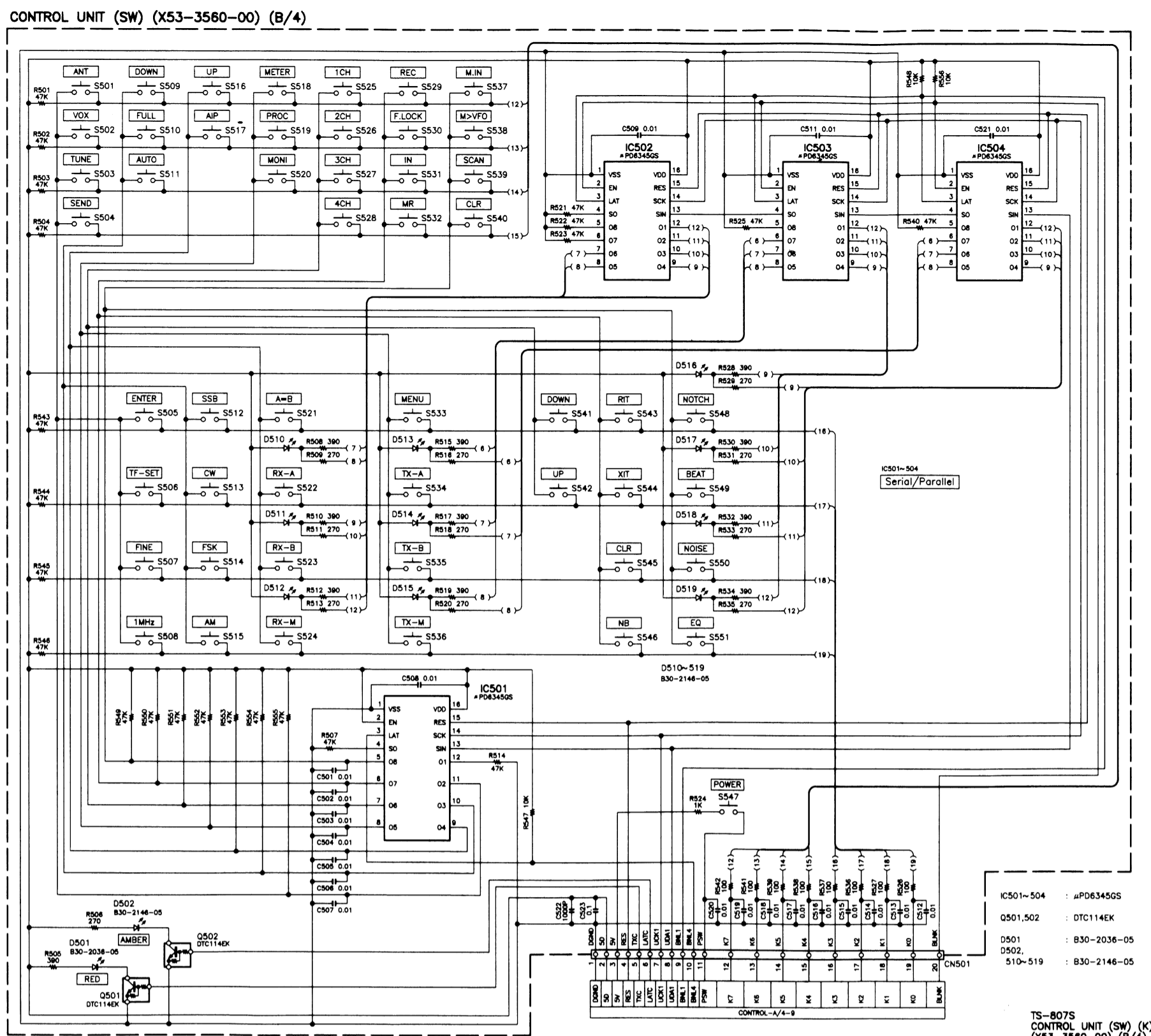


Note:
Circuits are subject to change without notice due to advancements in technology.

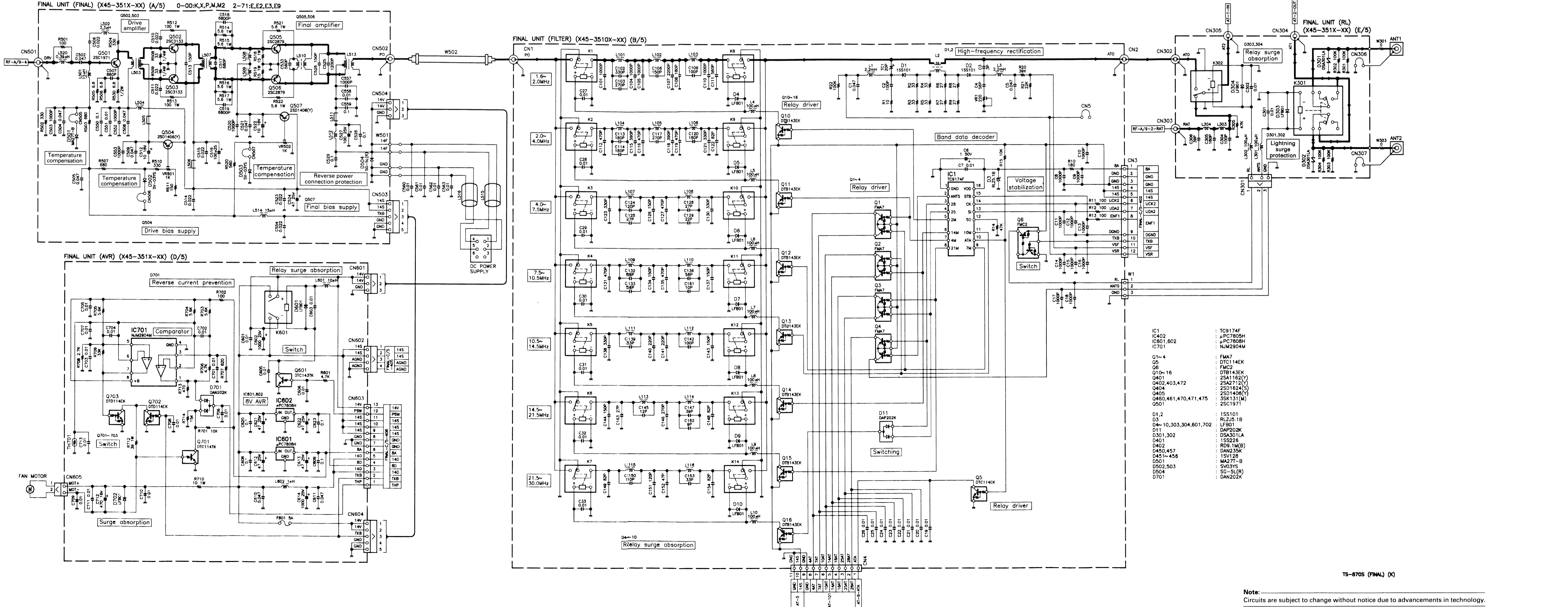
RF UNIT (PLL) (X44-3210-00) (B/9)



Note:
Circuits are subject to change without notice due to advancements in technology.



SCHEMATIC DIAGRAM



Note:
Circuits are subject to change without notice due to advancements in technology.

Note:
Circuits are subject to change without notice due to advancements in technology.