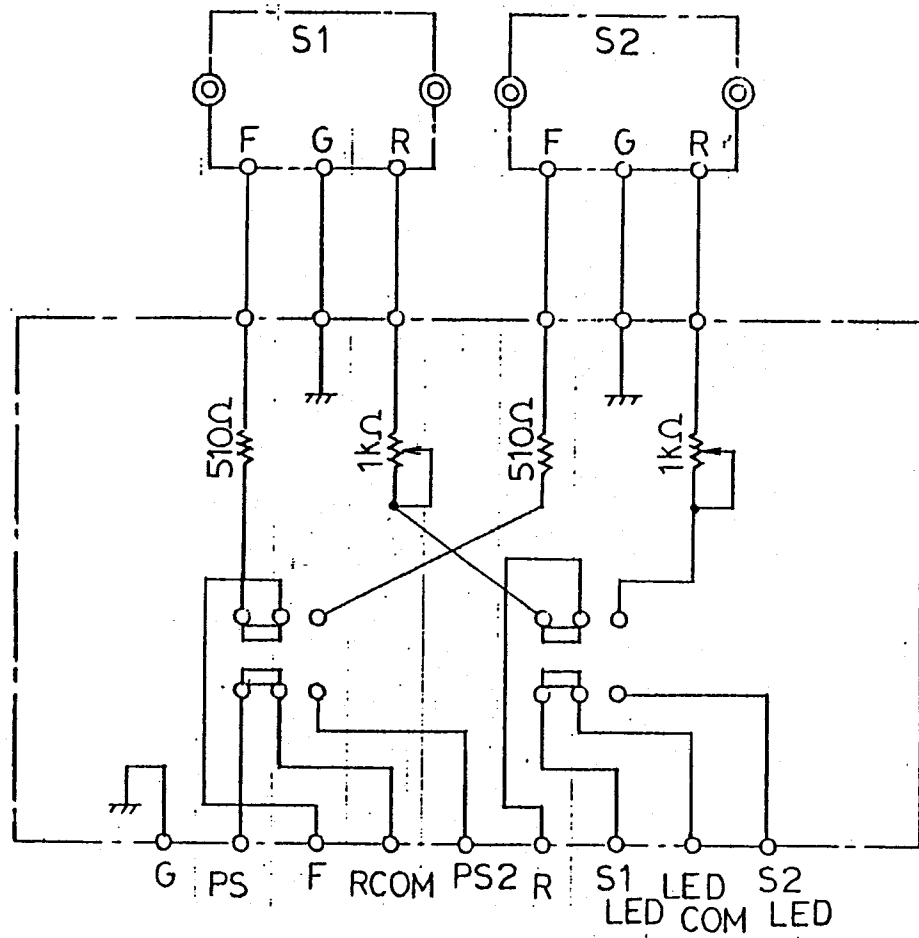


S X 600 (1/2)



S X 600 (7/2)