

DR-570T/E

Service Manual



Index

| | | | |
|--------------------------------------|--------|--------------------------------------|----|
| ●SPECIFICATIONS | 2 | ●UHF PLL, VCO SCHEMATIC DIAGRAM..... | 28 |
| ●PARTS LIST | 3~9 | ●UHF PLL, VCO PC BOARD | 28 |
| ●DISASSEMBLING PROCEDURE | 10~13 | ●VOL PC BOARD | 29 |
| ●CABINET PARTS LOCATION | 14 | ●POWER SUPPLY PC BOARD | 29 |
| ●ADJUSTMENT (VHF) | 15 | ●CPU SCHEMATIC DIAGRAM | 30 |
| ●ADJUSTMENT (UHF) | 16 | ●CPU PC BOARD | 31 |
| ●BLOCK DIAGRAM | 17 | ●CONTROL SCHEMATIC DIAGRAM | 32 |
| ●SCHEMATIC DIAGRAM | 18 | ●CONTROL PC BOARD | 33 |
| ●VHF MAIN SCHEMATIC DIAGRAM..... | 19, 20 | ●X'CON SCHEMATIC DIAGRAM | 34 |
| ●VHF MAIN PC BOARD | 21, 22 | ●X'CON PC BOARD | 35 |
| ●UHF MAIN SCHEMATIC DIAGRAM | 23, 24 | ●FINAL, DUPLEXER SCHEMATIC DIAGRAM.. | 36 |
| ●UHF MAIN PC BOARD | 25, 26 | ●VHF FINAL PC BOARD | 37 |
| ●VHF PLL, VCO SCHEMATIC DIAGRAM..... | 27 | ●UHF FINAL PC BOARD | 37 |
| ●VHF PLL, VCO PC BOARD | 27 | ●CTCSS SCHEMATIC DIAGRAM | 38 |
| | | ●CTCSS PC BOARD | 39 |
| | | ●DUPLEXER PC BOARD | 40 |
| | | ●TONE SQUELCH SCHEMATIC DIAGRAM .. | 40 |

SPECIFICATIONS

■ General

| | |
|-------------------------|--|
| Frequency Coverage | 144.00–147.995 MHz (TX), 130–169.995 MHz (RX) 440.00–449.995 MHz (TX) (RX) (U. S. Version) 144.00–145.9875 MHz (TX), 130–169.9875 MHz (RX) 430–440 MHz (Europe Version) |
| Frequency Resolution | 5, 10, 12.5, 20 and 25 kHz, steps |
| Antenna Impedance | 50 ohms unbalanced |
| Power Supply | |
| Requirement | 13.8 Volts D. C. |
| Current Drain at 13.8 V | Receiving Squelched: does not exceed 600 mA Transmitting High: 45 W approx. 10.0 A at VHF Low: 5 W approx. 4.0 A at VHF High: 35 W approx. 11.0 A at UHF Low: 5 W approx. 4.0 A at UHF |
| Dimension | 150 mm (W) × 50 mm (H) × 173 mm (D) (5 ⁷ / ₈ " × 2" × 6 ⁷ / ₈ ") |
| Weight | Approx. 1.6 kgs (3.74 lbs.) |

■ Transmitter

| | |
|-------------------|---|
| Output Power | High: Approx. 45 Watts at VHF, Approx. 35 Watts at UHF Low: Approx. 5 Watts at both bands |
| Emission Mode | F3 (FM) |
| Modulation System | Variable Reactance F. M. |
| Max. Frequency | |
| Deviation | ±5 kHz |
| Spurious Emission | More than 60 dB below carrier |
| Microphone | Electret Condenser Microphone |
| Operating Mode | Simplex Duplex: ±600 kHz from receive frequency at VHF : ±5 MHz from receive frequency at UHF |
| DTMF Encoder | Built in (DR-570T) |

■ Receiver

| | |
|------------------------|--|
| Receiving System | Superheterodyne, dual Conversion |
| Modulation acceptance | F3 (FM) |
| Intermediate Frequency | 1st 10.7 MHz 2nd 455 kHz at VHF 1st 30.825 MHz 2nd 455 kHz at UHF |
| Sensitivity | 12 dB SINAD – 16 dB μ |
| Selectivity | More than ±6 kHz at –6 dB Less than ±12 kHz at –60 dB |
| Audio Power Output | More than 2.0 ± 0.5 W |
| Speaker Impedance | 8 ohms |

■ PARTS LIST

| Ref. No. | Part Code | Part Name and Number | Ref. No. | Part Code | Part Name and Number | Ref. No. | Part Code | Part Name and Number |
|----------------------|---------------|---|----------|---------------|-----------------------|----------|---------------|-----------------------------|
| VOL Unit | | | D2 | XD0112 | Varicap, 1SV128 | R61 | RK0076 | Chip R, MCR10 330 kΩ |
| VR1 | RV0013 | Volume, RK0972211 | D3 | XD0097 | Diode, 1SS268 | R62 | RK0039 | Chip R, MCR10 2.2 kΩ |
| VR2 | RV0012 | Volume, RK0972210 | D4 | XD0100 | Varicap, 1SV164 | R63 | RK0018 | Chip R, MCR10 100Ω |
| Ⓝ | UE0062 | Post with Base, PI22B09M | D5 | XD0100 | Varicap, 1SV164 | R64 | RK0006 | Chip R, MCR10 27Ω |
| VHF Main Unit | | | D6 | XD0100 | Varicap, 1SV164 | R65 | RK0039 | Chip R, MCR10 2.2 kΩ |
| R1E | RK0054 | Chip R, MCR10 15 kΩ (DR-570E only) | D7 | XD0100 | Varicap, 1SV164 | R66 | RK0018 | Chip R, MCR10 100Ω |
| R2E | RK0052 | Chip R, MCR10 10 kΩ (DR-570E only) | D8 | XD0100 | Varicap, 1SV164 | R67 | RK0035 | Chip R, MCR10 1 kΩ |
| R3E | RK0052 | Chip R, MCR10 10 kΩ (DR-570E only) | D9 | XD0057 | Diode, 1SS184 | R71 | RK0052 | Chip R, MCR10 10 kΩ |
| R4E | RK0052 | Chip R, MCR10 10 kΩ (DR-570E only) | D10 | XD0103 | Diode, 1SS226 | R72 | RK0052 | Chip R, MCR10 10 kΩ |
| R5E | RK0072 | Chip R, MCR10 180 kΩ (DR-570E only) | D11 | XD0057 | Diode, 1SS184 | R73 | RK0052 | Chip R, MCR10 10 kΩ |
| R6E | RK0069 | Chip R, MCR10 100 kΩ (DR-570E only) | D12 | XD0057 | Diode, 1SS184 | R74 | RK0056 | Chip R, MCR10 22 kΩ |
| R7E | RK0039 | Chip R, MCR10 2.2 kΩ (DR-570E only) | D13 | XD0057 | Diode, 1SS184 | R75 | RK0018 | Chip R, MCR10 100Ω |
| R8E | RK0045 | Chip R, MCR10 4.7 kΩ (DR-570E only) | D14 | XD0057 | Diode, 1SS184 | R76 | RK0018 | Chip R, MCR10 100Ω |
| R9E | RK0018 | Chip R, MCR10 100Ω (DR-570E only) | D15 | XD0104 | Zener Diode, 02CZ6.2Y | R77 | RK0039 | Chip R, MCR10 2.2 kΩ |
| R10E | RK0086 | Chip R, MCR10 1 MΩ (DR-570E only) | D16 | XD0097 | Diode, 1SS268 | R78 | RK0035 | Chip R, MCR10 1 kΩ |
| R12E | RK0039 | Chip R, MCR10 2.2 kΩ (DR-570E only) | D17 | XD0058 | Diode, 1SS181 | R79 | RK0056 | Chip R, MCR10 22 kΩ |
| C1E | CU8002 | Chip C, C2012B1H 0.01 μF (DR-570E only) | D18 | XD0113 | Zener Diode, 02CZ4.3Y | R80 | RK0045 | Chip R, MCR10 4.7 kΩ |
| C2E | CU8002 | Chip C, C2012B1H 0.01 μF (DR-570E only) | D19 | XD0100 | Varicap, 1SV164 | R81 | RK0014 | Chip R, MCR10 68Ω |
| C3E | CU8002 | Chip C, C2012B1H 0.01 μF (DR-570E only) | D20 | XD0103 | Diode, 1SS226 | R82 | RK0018 | Chip R, MCR10 100Ω |
| C4E | CU8002 | Chip C, C2012B1H 0.01 μF (DR-570E only) | D21 | XD0038 | Diode, 1SS133 | R83 | RK0025 | Chip R, MCR10 330Ω |
| C5E | CE0200 | Chemical C, UW 50 V 2.2 μF (DR-570E only) | R1 | RK0039 | Chip R, MCR10 2.2 kΩ | R84 | RK0037 | Chip R, MCR10 1.5 kΩ |
| C6E | CS0059 | Chip Tantal, TMC0J226 (DR-570E only) | R2 | RK0048 | Chip R, MCR10 6.8 kΩ | R85 | RK0011 | Chip R, MCR10 47Ω |
| C7E | CU8038 | Chip C, CM316Y1E 1 μFZ (DR-570E only) | R3 | RK0052 | Chip R, MCR10 10 kΩ | R86 | RK0001 | Chip R, MCR10 10Ω |
| C8E | CE0189 | Chemical C, TWSS 100 μF/16 V (DR-570E only) | R4 | RK0039 | Chip R, MCR10 2.2 kΩ | R87 | RK0069 | Chip R, MCR10 100 kΩ |
| IC1E | XA0097 | IC, NJM 4558M (DR-570E only) | R5 | RK0045 | Chip R, MCR10 4.7 kΩ | R88 | RK0069 | Chip R, MCR10 100 kΩ |
| IC2E | XA0093 | IC, NJU 4069UBM (DR-570E only) | R6 | RK0052 | Chip R, MCR10 10 kΩ | R89 | RK0028 | Chip R, MCR10 470Ω |
| IC3E | XA0092 | IC, NJU 4020BM (DR-570E only) | R7 | RK0059 | Chip R, MCR10 33 kΩ | R90 | RK0076 | Chip R, MCR10 330 kΩ |
| Q1E | XU0022 | Digital Transistor, DTA114EK (DR-570E only) | R8 | RK0018 | Chip R, MCR10 100Ω | J1 | RK0107 | Chip R, MCR10 0Ω |
| X1E | XB0001 | FAR, C4CA03580000K01 (DR-570E only) | R9 | RK0052 | Chip R, MCR10 10 kΩ | J2 | RK1107 | Chip R, MCR18 0Ω |
| CN TB | UE0070 | Post with Base, PI22A04M (DR-570E only) | R10 | RK0018 | Chip R, MCR10 100Ω | J3 | RK0107 | Chip R, MCR10 0Ω |
| IC1 | XA0070 | IC, MC3361D | R11 | RK0069 | Chip R, MCR10 100 kΩ | C1 | CU8001 | Chip C, C2012B1H 0.001 μF |
| IC2 | XA0079 | IC, μPC1241H | R12 | RK0069 | Chip R, MCR10 100 kΩ | C2 | CU8001 | Chip C, C2012B1H 0.001 μF |
| IC3 | XA0091 | IC, TMA247 | R13 | RK0069 | Chip R, MCR10 100 kΩ | C3 | CU8001 | Chip C, C2012B1H 0.001 μF |
| Q1 | XE0013 | FET, 3SK184S | R14 | RK0069 | Chip R, MCR10 100 kΩ | C4 | CU8001 | Chip C, C2012B1H 0.001 μF |
| Q2 | XE0017 | FET, 3SK179L | R15 | RK0035 | Chip R, MCR10 1 kΩ | C5 | CU8001 | Chip C, C2012B1H 0.001 μF |
| Q3 | XT0081 | Transistor, 2SC2714Y | R16 | RK0062 | Chip R, MCR10 47 kΩ | C6 | CU0027 | Chip C, C2012CH1H 47 pF |
| Q4 | XT0031 | Transistor, 2SC2712Y | R17 | RK0045 | Chip R, MCR10 4.7 kΩ | C7 | CU8001 | Chip C, C2012B1H 0.001 μF |
| Q5 | XT0031 | Transistor, 2SC2712Y | R18 | RK0011 | Chip R, MCR10 47Ω | C8 | CU8001 | Chip C, C2012B1H 0.001 μF |
| Q7 | XT0031 | Transistor, 2SC2712Y | R19 | RK0074 | Chip R, MCR10 270 kΩ | C9 | CU8001 | Chip C, C2012B1H 0.001 μF |
| Q8 | XT0031 | Transistor, 2SC2712Y | R20 | RK0018 | Chip R, MCR10 100Ω | C10 | CU8002 | Chip C, C2012B1H 0.01 μF |
| Q9 | XT0031 | Transistor, 2SC2712Y | R21 | RK0039 | Chip R, MCR10 2.2 kΩ | C11 | CU8001 | Chip C, C2012B1H 0.001 μF |
| Q10 | XT0061 | Transistor, 2SB1132Q | R22 | RK0042 | Chip R, MCR10 3.3 kΩ | C12 | CU8001 | Chip C, C2012B1H 0.001 μF |
| Q11 | XT0061 | Transistor, 2SB1132Q | R23 | RK0038 | Chip R, MCR10 1.8 kΩ | C14 | CU0001 | Chip C, C2012CH1H 0.5 pF |
| Q12 | XU0012 | Digital Transistor, DTC114EK | R24 | RK0038 | Chip R, MCR10 1.8 kΩ | C15 | CU0029 | Chip C, C2012CH1H 56 pF |
| Q13 | XT0081 | Transistor, 2SC2714Y | R25 | RK0018 | Chip R, MCR10 100Ω | C16 | CU0001 | Chip C, C2012CH1H 0.5 pF |
| Q14 | XT0081 | Transistor, 2SC2714Y | R26 | RK0045 | Chip R, MCR10 4.7 kΩ | C17 | CU0029 | Chip C, C2012CH1H 56 pF |
| Q15 | XT0081 | Transistor, 2SC2714Y | R27 | RK0076 | Chip R, MCR10 330 kΩ | C18 | CU8002 | Chip C, C2012B1H 0.001 μF |
| Q16 | XU0022 | Digital Transistor, DTA114EK | R28 | RK0035 | Chip R, MCR10 1 kΩ | C19 | CU0035 | Chip C, C2012CH1H 100 pF |
| Q17 | XT0077 | Transistor, 2SC3326A | R29 | RK0065 | Chip R, MCR10 68 kΩ | C20 | CU0011 | Chip C, C2012CH1H 5 pF |
| Q18 | XT0030 | Transistor, 2SC3356 | R30 | RK0059 | Chip R, MCR10 33 kΩ | C21 | CU8001 | Chip C, C2012B1H 0.001 μF |
| Q19 | XT0081 | Transistor, 2SC2714Y | R31 | RK0042 | Chip R, MCR10 3.3 kΩ | C22 | CU8001 | Chip C, C2012B1H 0.001 μF |
| Q20 | XT0084 | Transistor, 2SC2954 | R32 | RK0048 | Chip R, MCR10 6.8 kΩ | C23 | CU8001 | Chip C, C2012B1H 0.001 μF |
| Q21 | XU0003 | Digital Transistor, DTC114TK | R33 | RK0076 | Chip R, MCR10 330 kΩ | C24 | CU0004 | Chip C, C2012CH1H 3 pF |
| D1 | XD0057 | Diode, 1SS184 | R34 | RK0076 | Chip R, MCR10 330 kΩ | C25 | CU0015 | Chip C, C2012CH1H 15 pF |
| | | | R35 | RK0044 | Chip R, MCR10 3.9 kΩ | C26 | CU8001 | Chip C, C2012B1H 0.001 μF |
| | | | R36 | RK0076 | Chip R, MCR10 330 kΩ | C27 | CU8001 | Chip C, C2012B1H 0.001 μF |
| | | | R37 | RK0044 | Chip R, MCR10 3.9 kΩ | C28 | CU8001 | Chip C, C2012B1H 0.001 μF |
| | | | R38 | RK0028 | Chip R, MCR10 470Ω | C29 | CU0025 | Chip C, C2012CH1H 39 pF |
| | | | R39 | RK0052 | Chip R, MCR10 10 kΩ | C30 | CU0035 | Chip C, C2012CH1H 100 pF |
| | | | R40 | RK0069 | Chip R, MCR10 100 kΩ | C31 | CU8003 | Chip C, C2012B1H 0.1 μF |
| | | | R41 | RK0035 | Chip R, MCR10 1 kΩ | C32 | CU8003 | Chip C, C2012B1H 0.1 μF |
| | | | R42 | RK0025 | Chip R, MCR10 330Ω | C33 | CU8005 | Chip C, C2012B1H 0.0022 μF |
| | | | R43 | RK0106 | Chip R, MCR10 3.3Ω | C34 | CU8003 | Chip C, C2012B1H 0.1 μF |
| | | | R44 | RK0056 | Chip R, MCR10 22 kΩ | C35 | CU8006 | Chip C, C2012B1E 0.022 μF |
| | | | R47 | RK0076 | Chip R, MCR10 330 kΩ | C36 | CU0035 | Chip C, C2012CH1H 100 pF |
| | | | R48 | RK0056 | Chip R, MCR10 22 kΩ | C37 | CU8001 | Chip C, C2012B1H 0.001 μF |
| | | | R49 | RK0062 | Chip R, MCR10 47 kΩ | C38 | CU8002 | Chip C, C2012B1H 0.01 μF |
| | | | R50 | RK0052 | Chip R, MCR10 10 kΩ | C39 | CS0060 | Chip Tantal, TMC1E474 |
| | | | R51 | RK0052 | Chip R, MCR10 10 kΩ | C40 | CE0188 | Chemical C, TWSS 47 μF/16 V |
| | | | R52 | RK0038 | Chip R, MCR10 1.8 kΩ | C41 | CU8003 | Chip C, C2012B1H 0.1 μF |
| | | | R53 | RK0038 | Chip R, MCR10 1.8 kΩ | C42 | CU8001 | Chip C, C2012B1H 0.001 μF |
| | | | R54 | RK0052 | Chip R, MCR10 10 kΩ | C43 | CU8001 | Chip C, C2012B1H 0.001 μF |
| | | | R55 | RK0062 | Chip R, MCR10 47 kΩ | C44 | CU8001 | Chip C, C2012B1H 0.001 μF |
| | | | R56 | RK0062 | Chip R, MCR10 47 kΩ | C45 | CU8006 | Chip C, C2012B1E 0.022 μF |
| | | | R57 | RK0052 | Chip R, MCR10 10 kΩ | C46 | CU8001 | Chip C, C2012B1H 0.001 μF |
| | | | R58 | RK0056 | Chip R, MCR10 22 kΩ | | | |
| | | | R59 | RK0035 | Chip R, MCR10 1 kΩ | | | |
| | | | R60 | RK0018 | Chip R, MCR10 100Ω | | | |

| Ref. No. | Part Code | Part Name and Number | Ref. No. | Part Code | Part Name and Number | Ref. No. | Part Code | Part Name and Number |
|----------|-----------|------------------------------|----------------------|-----------|---|----------|-----------|--|
| C47 | CU8002 | Chip C, C2012B1H 0.01 µF | L13 | QC0067 | Chip Coil, NL322522T-R10M | Q3 | XE0013 | FET, 3SK 184S |
| C48 | CE0189 | Chemical C, TWSS 100 µF/16 V | L14 | QC0062 | Chip Coil, NL322522T-039M | Q4 | XT0081 | Transistor, 2SC2714Y |
| C49 | CE0188 | Chemical C, TWSS 47 µF/16 V | CF1 | XC0001 | Ceramic Filter, CFW455F | Q5 | XT0031 | Transistor, 2SC2712Y |
| C50 | CE0188 | Chemical C, TWSS 47 µF/16 V | XF1 | XF0004 | X'tal Filter, 49/U 10.7 MHz | Q6 | XT0031 | Transistor, 2SC2712Y |
| C52 | CE0188 | Chemical C, TWSS 47 µF/16 V | X1 | XQ0033 | X'tal, 49/U 10.245 MHz | Q7 | XT0017 | Transistor, 2SA1162Y |
| C55 | CU8003 | Chip C, C2012B1H 0.1 µF | X2 | XQ0038 | X'tal, HC-49/U 12.8 MHz | Q8 | XT0041 | Transistor, FMW1 |
| C56 | CU8034 | Chip C, C2012B1E 0.033 µF | TH1 | XS0004 | Thermistor, TD5150D | Q9 | XT0041 | Transistor, FMW1 |
| C57 | CU8001 | Chip C, C2012B1H 0.001 µF | | | | Q10 | XT0031 | Transistor, 2SC2712Y |
| C58 | CE0188 | Chemical C, TWSS 47 µF/16 V | | | | Q11 | XT0031 | Transistor, 2SC2712Y |
| C59 | CE0181 | Chemical C, TWSS 470 µF/10 V | | | | Q12 | XT0087 | Transistor, 2SC2759U23 |
| C61 | CS0065 | Chip Tantal, TMC1D684 | | | | Q13 | XT0077 | Transistor, 2SC3326A |
| C62 | CS0065 | Chip Tantal, TMC1D684 | | | | Q14 | XU0012 | Digital Transistor, DTC114EK |
| C63 | CS0049 | Chip Tantal, TMC1C105 | | | | Q15 | XT0087 | Transistor, 2SC2759U23 |
| C64 | CU8001 | Chip C, C2012B1H 0.001 µF | | | | Q16 | XT0048 | Transistor, 2SC3357 |
| C65 | CU0019 | Chip C, C2012CH1H 22 pF | | | | Q17 | XT0078 | Transistor, 2SC3369 |
| C66 | CU0035 | Chip C, C2012CH1H 100 pF | TC1 | CT0028 | Trimmer C, ECRJA006A12 | Q18 | XT0061 | Transistor, 2SB1132Q |
| C67 | CU0043 | Chip C, C2012CH1H 220 pF | | | | Q19 | XT0061 | Transistor, 2SB1132Q |
| C68 | CU8002 | Chip C, C2012B1H 0.01 µF | VR1 | RH0054 | VR, CVR-42A-224AW1D | Q20 | XU0012 | Digital Transistor, DTC114EK |
| C69 | CU8001 | Chip C, C2012B1H 0.001 µF | VR2 | RH0037 | VR, CVR-42A-471AW1D | Q21 | XT0031 | Transistor, 2SC2712Y |
| C70 | CU0006 | Chip C, C2012CH1H 5 pF | VR3 | RH0031 | VR, CVR-42A-103AW1D | Q22 | XT0031 | Transistor, 2SC2712Y |
| C71 | CU8001 | Chip C, C2012B1H 0.001 µF | | | | Q23 | XT0031 | Transistor, 2SC2712Y |
| C72 | CU8001 | Chip C, C2012B1H 0.001 µF | ⊙ | UE0043 | Post with Base, PI22A02M | Q24 | XU0003 | Digital Transistor, DTC114TK |
| C73 | CS0049 | Chip Tantal, TMC1C105 | ① | UE0043 | Post with Base, PI22A02M | D1 | XD0057 | Diode, 1SS184 |
| C74 | CU8001 | Chip C, C2012B1H 0.001 µF | SP | UE0043 | Post with Base, PI22A02M | D2 | XD0103 | Diode, 1SS226 |
| C75 | CU8002 | Chip C, C2012B1H 0.01 µF | Ⓞ | UE0043 | Post with Base, PI22A02M | D3 | XD0057 | Diode, 1SS184 |
| C76 | CU8002 | Chip C, C2012B1H 0.01 µF | Ⓞ | UE0050 | Post with Base, PI22A08M | D4 | XD0104 | Zener Diode, 02CZ6.2Y |
| C77 | CU8002 | Chip C, C2012B1H 0.01 µF | Ⓞ | UE0069 | Post with Base, PI22A03M | D5 | XD0112 | Variac, 1SV128 |
| C78 | CU8001 | Chip C, C2012B1H 0.001 µF | Ⓞ | UE0071 | Post with Base, PI22A05M | D6 | XD0112 | Variac, 1SV128 |
| C79 | CU8003 | Chip C, C2012B1H 0.1 µF | Ⓞ | UE0071 | Post with Base, PI22A05M | D7 | XD0057 | Diode, 1SS184 |
| C80 | CU8001 | Chip C, C2012B1H 0.001 µF | Ⓞ | UE0070 | Post with Base, PI22A04M (DR-570E only) | D8 | XD0057 | Diode, 1SS184 |
| C81 | CU8002 | Chip C, C2012B1H 0.01 µF | | | | D9 | XD0115 | Zener Diode, 1SS196 |
| C82 | CU8001 | Chip C, C2012B1H 0.001 µF | | | | D10 | XD0057 | Diode, 1SS184 |
| C83 | CU8001 | Chip C, C2012B1H 0.001 µF | PJ1 | UE0041 | Mini Pin Jack, TMP-J01X-V6 | D11 | XD0057 | Diode, 1SS184 |
| C84 | CE0188 | Chemical C, TWSS 47 µF/16 V | W32 | UX0131 | Line Material, 570HX | D12 | XD0058 | Diode, 1SS181 |
| C85 | CU8001 | Chip C, C2012B1H 0.001 µF | UHF Main Unit | | | D13 | XD0058 | Diode, 1SS181 |
| C86 | CU0035 | Chip C, C2012CH1H 100 pF | TC1 | CT0021 | Trimmer C, ECRJA010A12 | D14 | XD0113 | Zener Diode, 02CZ4.3Y |
| C87 | CU0035 | Chip C, C2012CH1H 100 pF | TC2 | CT0028 | Trimmer C, ECRJA006A12 | D15 | XD0057 | Diode, 1SS184 |
| C88 | CU0035 | Chip C, C2012CH1H 100 pF | TC3 | CT0028 | Trimmer C, ECRJA006A12 | D16 | XD0057 | Diode, 1SS184 |
| C89 | CU0004 | Chip C, C2012CH1H 3 pF | VR1 | RH0031 | VR, CVR-42A-103AW1D | L1 | QK0050 | Air Core Coil, 5×5 Square |
| C90 | CE0178 | Chemical C, TWSS 220 µF/10 V | VR2 | RH0037 | VR, CVR-42A-471AW1D | L2 | QK0036 | Air Core Coil, 3∅ 1.5T |
| C91 | CU8001 | Chip C, C2012B1H 0.001 µF | VR3 | RH0031 | VR, CVR-42A-103AW1D | L3 | QA0061 | Coil, 435M×2-10 MHz |
| C92 | CU8001 | Chip C, C2012B1H 0.001 µF | VR4 | RH0038 | VR, CVR-42A-473AW1D | L4 | QA0061 | Coil, 435M×2-10 MHz |
| C93 | CE0078 | Chemical C, MS9 100 µF/25 V | VR5 | RH0051 | VR, CVR-42A-472AW1D | L5 | QC0055 | Chip Coil, NL322522T-010M (DR-570E only) |
| C94 | CU0051 | Chip C, C2012CH1H 470 pF | VR6 | RH0038 | VR, CVR-42A-473AW1D | L5 | QC0057 | Chip Coil, NL322522T-015M (DR-570T only) |
| C95 | CU8001 | Chip C, C2012B1H 0.001 µF | VR7 | RH0031 | VR, CVR-42A-103AW1D | L6 | QK0050 | Air Core Coil, 5×5 Square |
| C96 | CU0051 | Chip C, C2012CH1H 470 pF | | | | L7 | QC0071 | Chip Coil, NL322522T-R22M |
| C97 | CU8001 | Chip C, C2012B1H 0.001 µF | Ⓐ | UE0072 | Post with Base, PI22A06M | L8 | QA0042 | Coil |
| C98 | CU8001 | Chip C, C2012B1H 0.001 µF | Ⓑ | UE0071 | Post with Base, PI22A05M | L9 | QA0043 | Coil |
| C99 | CU0015 | Chip C, C2012CH1H 15 pF | Ⓒ | UE0043 | Post with Base, PI22A02M | L10 | QC0039 | Chip Coil, NL322522T-1R0M |
| C100 | CE0044 | Chemical C, MSS 10 µF/16 V | Ⓓ | UE0071 | Post with Base, PI22A05M | L11 | QA0041 | Coil, 455 kHz |
| C101 | CU0051 | Chip C, C2012CH1H 470 pF | Ⓔ | UE0043 | Post with Base, PI22A02M | L12 | QC0059 | Chip Coil, NL322522T-022M |
| C102 | CU8001 | Chip C, C2012B1H 0.001 µF | Ⓕ | UE0072 | Post with Base, PI22A06M | L13 | QC0061 | Chip Coil, NL322522T-033M |
| C103 | CU8001 | Chip C, C2012B1H 0.001 µF | | | | L14 | QC0055 | Chip Coil, NL322522T-010M |
| C104 | CU0051 | Chip C, C2012CH1H 470 pF | PJ1 | UE0075 | Mini Pin Jack, TMP-J01X-A2 | L15 | QC0055 | Chip Coil, NL322522T-010M |
| C105 | CU8001 | Chip C, C2012B1H 0.001 µF | PJ2 | UE0075 | Mini Pin Jack, TMP-J01X-A2 | L16 | QC0055 | Chip Coil, NL322522T-010M |
| C106 | CU0019 | Chip C, C2012CH1H 22 pF | PJ3 | UE0041 | Mini Pin Jack, TMP-J01X-V6 | L17 | QK0039 | Air Core Coil, 0.8-3∅-2.5T |
| C107 | CU8001 | Chip C, C2012B1H 0.001 µF | XF1 | XF0005 | X'tal Filter, UM-2 30.825 MHz | L18 | QK0054 | Air Core Coil, 0.8-3∅-1.5T |
| C108 | CU8001 | Chip C, C2012B1H 0.001 µF | CF1 | XC0001 | Ceramic Filter, CFW455F | C1 | CU0035 | Chip C, C2012CH1H 100 pF |
| C109 | CU8001 | Chip C, C2012B1H 0.001 µF | X1 | XQ0034 | X'tal Filter, HC-49/T 30.37 MHz | C2 | CU0004 | Chip C, C2012CH1H 3 pF |
| C110 | CU0029 | Chip C, C2012CH1H 56 pF | TH1 | XS0004 | Thermistor, TD5 150D | C3 | CU0035 | Chip C, C2012CH1H 100 pF |
| C111 | CU0011 | Chip C, C2012CH1H 10 pF | | | | C4 | CU8001 | Chip C, C2012B1H 0.001 µF |
| C112 | CU0011 | Chip C, C2012CH1H 10 pF | | | | C5 | CU8001 | Chip C, C2012B1H 0.001 µF |
| C113 | CU8001 | Chip C, C2012B1H 0.001 µF | | | | C6 | CU8001 | Chip C, C2012B1H 0.001 µF |
| C114 | CU0023 | Chip C, C2012CH1H 33 pF | | | | C7 | CU0002 | Chip C, C2012CH1H 1 pF |
| L1 | QC0045 | Chip Coil, NL322522T-3R3M | | | | C8 | CU0025 | Chip C, C2012CH1H 39 pF |
| L2 | QA0057 | Coil, Front End BPF | | | | C9 | CU8001 | Chip C, C2012B1H 0.001 µF |
| L3 | QA0057 | Coil, Front End BPF | | | | C10 | CU8001 | Chip C, C2012B1H 0.001 µF |
| L4 | QA0057 | Coil, Front End BPF | | | | C11 | CU8001 | Chip C, C2012B1H 0.001 µF |
| L5 | QA0057 | Coil, Front End BPF | | | | C12 | CU0002 | Chip C, C2012CH1H 1 pF (DR-570E only) |
| L6 | QA0058 | Coil | | | | C13 | CU0023 | Chip C, C2012CH1H 33 pF |
| L7 | QA0039 | Coil | | | | C14 | CU8001 | Chip C, C2012B1H 0.001 µF |
| L8 | QA0039 | Coil | | | | | | |
| L9 | QA0041 | Coil, 455 kHz | IC1 | XA0070 | IC, MC3361D | | | |
| L10 | QC0050 | Chip Coil, LQH4N-102K | IC2 | XA0075 | IC, NJM78L08UA-TE1 | | | |
| L11 | QC0034 | Chip Coil, NL322522T-R39M | Q1 | XE0013 | FET, 3SK 184S | | | |
| L12 | QC0065 | Chip Coil, NL322522T-068M | Q2 | XE0002 | FET, 2SK 125 | | | |

| Ref. No. | Part Code | Part Name and Number | Ref. No. | Part Code | Part Name and Number | Ref. No. | Part Code | Part Name and Number |
|----------|-----------|------------------------------|----------|-----------|------------------------------|----------|-----------|------------------------------|
| C15 | CU0035 | Chip C, C2012CH1H 100 pF | C115 | CU8001 | Chip C, C2012B1H 0.001 μF | R60 | RK0052 | Chip R, MCR10 10 kΩ |
| C16 | CU8001 | Chip C, C2012B1H 0.001 μF | C116 | CU8001 | Chip C, C2012B1H 0.001 μF | R63 | RK0056 | Chip R, MCR10 22 kΩ |
| C17 | CU0006 | Chip C, C2012CH1H 5 pF | C118 | CU8001 | Chip C, C2012B1H 0.001 μF | R64 | RK0052 | Chip R, MCR10 10 kΩ |
| C18 | CU0011 | Chip C, C2012CH1H 10 pF | C119 | CE0189 | Chemical C, TWSS 100 μF/16 V | R65 | RK0018 | Chip R, MCR10 100Ω |
| C19 | CU0011 | Chip C, C2012CH1H 10 pF | C120 | CU0023 | Chip C, C2012CH1H 33 pF | R66 | RK0018 | Chip R, MCR10 100Ω |
| C20 | CU8001 | Chip C, C2012B1H 0.001 μF | C121 | CE0044 | Chemical C, MS5 10 μF/16 V | R67 | RK0039 | Chip R, MCR10 2.2 kΩ |
| C21 | CU0007 | Chip C, C2012CH1H 6 pF | C122 | CU0051 | Chip C, C2012CH1H 470 pF | R68 | RK0052 | Chip R, MCR10 10 kΩ |
| C22 | CU0035 | Chip C, C2012CH1H 10 pF | C123 | CU0051 | Chip C, C2012CH1H 470 pF | R69 | RK0059 | Chip R, MCR10 33 kΩ |
| C23 | CU8001 | Chip C, C2012B1H 0.001 μF | C124 | CU0051 | Chip C, C2012CH1H 470 pF | R70 | RK0062 | Chip R, MCR10 47 kΩ |
| C24 | CU8001 | Chip C, C2012B1H 0.001 μF | C125 | CU0006 | Chip C, C2012CH1H 5 pF | R72 | RK0107 | Chip R, MCR10 0Ω |
| C25 | CU8001 | Chip C, C2012B1H 0.001 μF | C126 | CU0051 | Chip C, C2012CH1H 470 pF | R74 | RK0107 | Chip R, MCR10 0Ω |
| C26 | CU0011 | Chip C, C2012CH1H 10 pF | C127 | CU0051 | Chip C, C2012CH1H 470 pF | R76 | RK0062 | Chip R, MCR10 47 kΩ |
| C27 | CU8001 | Chip C, C2012B1H 0.001 μF | C128 | CE0044 | Chemical C, MS5 10 μF/16 V | R77 | RK0025 | Chip R, MCR10 330Ω |
| C28 | CU0025 | Chip C, C2012CH1H 39 pF | C129 | CU0051 | Chip C, C2012CH1H 470 pF | R80 | RK0069 | Chip R, MCR10 100 kΩ |
| C29 | CU8006 | Chip C, C2012B1E 0.022 μF | C130 | CU0051 | Chip C, C2012CH1H 470 pF | R81 | RK0035 | Chip R, MCR10 1 kΩ |
| C30 | CU8003 | Chip C, C2012B1H 0.1 μF | C131 | CU0017 | Chip C, C2012CH1H 18 pF | R82 | RK0045 | Chip R, MCR10 4.7 kΩ |
| C31 | CU8003 | Chip C, C2012B1H 0.1 μF | C132 | CU0004 | Chip C, C2012CH1H 3 pF | R83 | RK0035 | Chip R, MCR10 1 kΩ |
| C32 | CU8003 | Chip C, C2012B1H 0.1 μF | C133 | CU0051 | Chip C, C2012CH1H 470 pF | R84 | RK0011 | Chip R, MCR10 47Ω |
| C33 | CU0051 | Chip C, C2012CH1H 470 pF | C134 | CU0015 | Chip C, C2012CH1H 15 pF | R85 | RK0018 | Chip R, MCR10 100Ω |
| C34 | CE0188 | Chemical C, TWSS 47 μF/16 V | C135 | CU0051 | Chip C, C2012CH1H 470 pF | R86 | RK0011 | Chip R, MCR10 47Ω |
| C35 | CU8002 | Chip C, C2012B1H 0.01 μF | C136 | CU0051 | Chip C, C2012CH1H 470 pF | R87 | RK0037 | Chip R, MCR10 1.5 kΩ |
| C36 | CU8002 | Chip C, C2012B1H 0.01 μF | C137 | CE0044 | Chemical C, MS5 10 μF/16 V | R88 | RK0001 | Chip R, MCR10 10Ω |
| C37 | CU8003 | Chip C, C2012B1H 0.1 μF | C139 | CU0051 | Chip C, C2012CH1H 470 pF | R89 | RK0020 | Chip R, MCR10 150Ω |
| C38 | CU8002 | Chip C, C2012B1H 0.01 μF | C140 | CE0188 | Chemical C, TWSS 47 μF/16 V | R90 | RK0010 | Chip R, MCR10 39Ω |
| C39 | CS0060 | Chip Tantal, TMC1E474 | | | | R91 | RK0020 | Chip R, MCR10 150Ω |
| C41 | CU8034 | Chip C, C2012B1E 0.033 μF | R1 | RK0018 | Chip R, MCR10 100Ω | R92 | RK0020 | Chip R, MCR10 150Ω |
| C42 | CU8034 | Chip C, C2012B1E 0.033 μF | R2 | RK0059 | Chip R, MCR10 33 kΩ | R93 | RK0037 | Chip R, MCR10 1.5 kΩ |
| C43 | CU8001 | Chip C, C2012B1H 0.001 μF | R3 | RK0069 | Chip R, MCR10 100 kΩ | R94 | RK2010 | Chip R, MCR50 33Ω |
| C44 | CS0064 | Chip Tantal, TMC1A155 | R4 | RK0018 | Chip R, MCR10 100Ω | | | |
| C45 | CU8001 | Chip C, C2012B1H 0.001 μF | R5 | RK0011 | Chip R, MCR10 47Ω | J5 | RK1107 | Chip R, MCR18 0Ω |
| C46 | CU8024 | Chip C, C2012B1H 0.0047 μF | R6 | RK0107 | Chip R, MCR10 0Ω | J6 | RK1107 | Chip R, MCR18 0Ω |
| C47 | CU8001 | Chip C, C2012B1H 0.001 μF | R7 | RK0006 | Chip R, MCR10 27Ω | J7 | RK1107 | Chip R, MCR18 0Ω |
| C48 | CU8024 | Chip C, C2012B1H 0.0047 μF | R8 | RK0107 | Chip R, MCR10 0Ω | J8 | RK0107 | Chip R, MCR10 0Ω |
| C49 | CS0065 | Chip Tantal, TMC1D684 | R9 | RK0035 | Chip R, MCR10 1 kΩ | | | |
| C50 | CS0065 | Chip Tantal, TMC1D684 | R10 | RK0056 | Chip R, MCR10 22 kΩ | | | |
| C51 | CS0049 | Chip Tantal, TMC1C105 | R11 | RK0056 | Chip R, MCR10 22 kΩ | | | |
| C52 | CU8001 | Chip C, C2012B1H 0.001 μF | R12 | RK0022 | Chip R, MCR10 220Ω | | | |
| C53 | CQ0009 | Film C, ECQB1H 332 kHz | R13 | RK0042 | Chip R, MCR10 3.3 kΩ | | | |
| C70 | CU8002 | Chip C, C2012B1H 0.01 μF | R14 | RK0011 | Chip R, MCR10 47Ω | IC1 | XA0090 | IC, M54959FP |
| C72 | CE0200 | Chemical C, UW 50 V 2.2 μF | R15 | RK0039 | Chip R, MCR10 2.2 kΩ | Q1 | XU0014 | Digital Transistor, DTC144EK |
| C73 | CU8002 | Chip C, C2012B1H 0.01 μF | R16 | RK0042 | Chip R, MCR10 3.3 kΩ | Q2 | XT0031 | Transistor, 2SC2712Y |
| C74 | CU8001 | Chip C, C2012B1H 0.001 μF | R17 | RK0107 | Chip R, MCR10 0Ω | Q3 | XT0080 | Transistor, 2SC3324B |
| C75 | CS0049 | Chip Tantal, TMC1C105 | R18 | RK0039 | Chip R, MCR10 2.2 kΩ | Q4 | XT0080 | Transistor, 2SC3324B |
| C76 | CU8001 | Chip C, C2012B1H 0.001 μF | R19 | RK0076 | Chip R, MCR10 330 kΩ | Q5 | XT0081 | Transistor, 2SC2714Y |
| C77 | CU8002 | Chip C, C2012B1H 0.01 μF | R20 | RK0035 | Chip R, MCR10 1 kΩ | | | |
| C78 | CU8002 | Chip C, C2012B1H 0.01 μF | R23 | RK0052 | Chip R, MCR10 10 kΩ | CN1 | UE0079 | Pin Header, SB2P-HVQ-CA |
| C79 | CE0188 | Chemical C, TWSS 47 μF/16 V | R24 | RK0059 | Chip R, MCR10 33 kΩ | CN2 | UE0081 | Pin Header, SB6P-HVQ-CA |
| C80 | CU8001 | Chip C, C2012B1H 0.001 μF | R25 | RK0042 | Chip R, MCR10 3.3 kΩ | CN3 | UE0088 | Pin Header, 6027B-07Z003-T |
| C81 | CU8001 | Chip C, C2012B1H 0.001 μF | R26 | RK0048 | Chip R, MCR10 6.8 kΩ | CN4 | UE0085 | Pin Header, 6027B-04Z003-T |
| C82 | CE0178 | Chemical C, TWSS 220 μF/10 V | R27 | RK0076 | Chip R, MCR10 330 kΩ | | | |
| C83 | CE0178 | Chemical C, TWSS 220 μF/10 V | R28 | RK0044 | Chip R, MCR10 3.9 kΩ | R1 | RK0062 | Chip R, MCR10 47 kΩ |
| C84 | CS0049 | Chip Tantal, TMC1C105 | R29 | RK0076 | Chip R, MCR10 330 kΩ | R2 | RK0062 | Chip R, MCR10 47 kΩ |
| C85 | CU8002 | Chip C, C2012B1H 0.01 μF | R30 | RK0044 | Chip R, MCR10 3.9 kΩ | R3 | RK0062 | Chip R, MCR10 47 kΩ |
| C86 | CU8001 | Chip C, C2012B1H 0.001 μF | R31 | RK0028 | Chip R, MCR10 470Ω | R4 | RK0062 | Chip R, MCR10 47 kΩ |
| C87 | CU8001 | Chip C, C2012B1H 0.001 μF | R32 | RK0052 | Chip R, MCR10 10 kΩ | R5 | RK0062 | Chip R, MCR10 47 kΩ |
| C88 | CU0035 | Chip C, C2012CH1H 100 pF | R33 | RK0035 | Chip R, MCR10 1 kΩ | R6 | RK0056 | Chip R, MCR10 22 kΩ |
| C89 | CU0035 | Chip C, C2012CH1H 100 pF | R34 | RK0039 | Chip R, MCR10 2.2 kΩ | R7 | RK0045 | Chip R, MCR10 4.7 kΩ |
| C90 | CU0035 | Chip C, C2012CH1H 100 pF | R35 | RK0037 | Chip R, MCR10 1.5 kΩ | R8 | RK0062 | Chip R, MCR10 47 kΩ |
| C91 | CU8001 | Chip C, C2012B1H 0.001 μF | R36 | RK0052 | Chip R, MCR10 10 kΩ | R9 | RK0045 | Chip R, MCR10 4.7 kΩ |
| C92 | CU0004 | Chip C, C2012CH1H 3 pF | R37 | RK0052 | Chip R, MCR10 10 kΩ | R10 | RK0052 | Chip R, MCR10 10 kΩ |
| C93 | CU8001 | Chip C, C2012B1H 0.001 μF | R38 | RK0036 | Chip R, MCR10 1.2 kΩ | R11 | RK0052 | Chip R, MCR10 10 kΩ |
| C94 | CU0006 | Chip C, C2012CH1H 5 pF | R39 | RK0038 | Chip R, MCR10 1.8 kΩ | R12 | RK0045 | Chip R, MCR10 4.7 kΩ |
| C97 | CU8001 | Chip C, C2012B1H 0.001 μF | R40 | RK0052 | Chip R, MCR10 10 kΩ | R13 | RK0107 | Chip R, MCR10 0Ω |
| C98 | CU8001 | Chip C, C2012B1H 0.001 μF | R41 | RK0052 | Chip R, MCR10 10 kΩ | R14 | RK0022 | Chip R, MCR10 220Ω |
| C99 | CU8001 | Chip C, C2012B1H 0.001 μF | R42 | RK0056 | Chip R, MCR10 22 kΩ | R15 | RK0056 | Chip R, MCR10 22 kΩ |
| C100 | CU8001 | Chip C, C2012B1H 0.001 μF | R43 | RK0056 | Chip R, MCR10 22 kΩ | R16 | RK0052 | Chip R, MCR10 10 kΩ |
| C102 | CU8001 | Chip C, C2012B1H 0.001 μF | R44 | RK0038 | Chip R, MCR10 1.8 kΩ | R17 | RK0107 | Chip R, MCR10 0Ω |
| C103 | CE0188 | Chemical C, TWSS 47 μF/16 V | R45 | RK0052 | Chip R, MCR10 10 kΩ | | | |
| C105 | CU8001 | Chip C, C2012B1H 0.001 μF | R46 | RK0062 | Chip R, MCR10 47 kΩ | C1 | CU8006 | Chip C, C2012B1E 0.022 μF |
| C106 | CU8001 | Chip C, C2012B1H 0.001 μF | R47 | RK0076 | Chip R, MCR10 330 kΩ | C2 | CU8001 | Chip C, C2012B1H 0.001 μF |
| C107 | CU8001 | Chip C, C2012B1H 0.001 μF | R48 | RK0052 | Chip R, MCR10 10 kΩ | C3 | CU8006 | Chip C, C2012B1E 0.022 μF |
| C108 | CU8001 | Chip C, C2012B1H 0.001 μF | R53 | RK0006 | Chip R, MCR10 27Ω | C4 | CU8003 | Chip C, C2012B1H 0.1 μF |
| C109 | CU8001 | Chip C, C2012B1H 0.001 μF | R54 | RK0039 | Chip R, MCR10 2.2 kΩ | C5 | CU0035 | Chip C, C2012CH1H 100 pF |
| C110 | CU8001 | Chip C, C2012B1H 0.001 μF | R55 | RK0006 | Chip R, MCR10 27Ω | C6 | CU8006 | Chip C, C2012B1E 0.022 μF |
| C111 | CU8001 | Chip C, C2012B1H 0.001 μF | R56 | RK0037 | Chip R, MCR10 1.5 kΩ | C7 | CU0051 | Chip C, C2012CH1H 470 pF |
| C113 | CU8001 | Chip C, C2012B1H 0.001 μF | R57 | RK0052 | Chip R, MCR10 10 kΩ | C8 | CS0066 | Chip Tantal, TMC1D225 |
| C114 | CU8001 | Chip C, C2012B1H 0.001 μF | R58 | RK0052 | Chip R, MCR10 10 kΩ | C9 | CS0066 | Chip Tantal, TMC1D225 |
| | | | | | | C10 | CU8001 | Chip C, C2012B1H 0.001 μF |

| Ref. No. | Part Code | Part Name and Number |
|---------------------|-----------|----------------------------|
| C11 | CS0060 | Chip Tantal, TMC1E474 |
| C12 | CU8002 | Chip C, C2012B1H 0.01 µF |
| C13 | CU8001 | Chip C, C2012B1H 0.001 µF |
| C14 | CU0006 | Chip C, C2012CH1H 5 pF |
| C15 | CU8001 | Chip C, C2012B1H 0.001 µF |
| L1 | QC0045 | Chip Coil, NL322522T-3R3M |
| VHF VCO Unit | | |
| Q1 | XE0010 | FET, 2SK508K52 |
| Q2 | XT0081 | Transistor, 2SC2714Y |
| D1 | XD0101 | Varicap, 1SV166 |
| D2 | XD0101 | Varicap, 1SV166 |
| L1 | QC0045 | Chip Coil, NL322522T-3R3M |
| L2 | QC0045 | Chip Coil, NL322522T-3R3M |
| L3 | QC0045 | Chip Coil, NL322522T-3R3M |
| L4 | QA0059 | Coil |
| L5 | QC0069 | Chip Coil, NL322522T-R15K |
| R1 | RK0052 | Chip R, MCR10 10 kΩ |
| R2 | RK0018 | Chip R, MCR10 100Ω |
| R3 | RK0025 | Chip R, MCR10 330Ω |
| R4 | RK0011 | Chip R, MCR10 47Ω |
| R6 | RK0018 | Chip R, MCR10 100Ω |
| R7 | RK0045 | Chip R, MCR10 4.7 kΩ |
| R8 | RK0030 | Chip R, MCR10 560Ω |
| R9 | RK0018 | Chip R, MCR10 100Ω |
| J1 | RK0107 | Chip R, MCR10 0Ω |
| C1 | CU8001 | Chip C, C2012B1H 0.001 µF |
| C2 | CU8024 | Chip C, C2012B1H 0.0047 µF |
| C3 | CU8001 | Chip C, C2012B1H 0.001 µF |
| C4 | CU0001 | Chip C, C2012CH1H 0.5 pF |
| C5 | CU8024 | Chip C, C2012B1H 0.0047 µF |
| C6 | CU8024 | Chip C, C2012B1H 0.0047 µF |
| C7 | CU8001 | Chip C, C2012B1H 0.001 µF |
| C8 | CU8001 | Chip C, C2012B1H 0.001 µF |
| C9 | CU8001 | Chip C, C2012B1H 0.001 µF |
| C10 | CU0003 | Chip C, C2012CH1H 2 pF |
| C11 | CU0019 | Chip C, C2012CH1H 22 pF |
| UHF PLL Unit | | |
| IC1 | XA0090 | IC, M54959FP |
| Q1 | XT0080 | Transistor, 2SC3324B |
| Q2 | XT0080 | Transistor, 2SC3324B |
| Q3 | XT0080 | Transistor, 2SC3324B |
| Q4 | XT0082 | Transistor, 2SC3120 |
| CN1 | UE0079 | Pin Header, SB2P-HVQ-CA |
| CN2 | UE0081 | Pin Header, SB6P-HVQ-CA |
| CN3 | UE0088 | Pin Header, 6027B-07Z003-T |
| CN4 | UE0085 | Pin Header, 6027B-04Z003-T |
| R1 | RK0062 | Chip R, MCR10 47 kΩ |
| R2 | RK0062 | Chip R, MCR10 47 kΩ |
| R3 | RK0062 | Chip R, MCR10 47 kΩ |
| R4 | RK0062 | Chip R, MCR10 47 kΩ |
| R5 | RK0062 | Chip R, MCR10 47 kΩ |
| R6 | RK0022 | Chip R, MCR10 220Ω |
| R7 | RK0040 | Chip R, MCR10 2.7 kΩ |
| R8 | RK0050 | Chip R, MCR10 8.2 kΩ |
| R9 | RK0052 | Chip R, MCR10 10 kΩ |
| R10 | RK0039 | Chip R, MCR10 2.2 kΩ |
| R11 | RK0079 | Chip R, MCR10 470 kΩ |
| R12 | RK0039 | Chip R, MCR10 2.2 kΩ |
| R13 | RK0025 | Chip R, MCR10 330Ω |
| R14 | RK0045 | Chip R, MCR10 4.7 kΩ |
| R15 | RK0039 | Chip R, MCR10 2.2 kΩ |
| R16 | RK0052 | Chip R, MCR10 10 kΩ |
| R17 | RK0062 | Chip R, MCR10 47 kΩ |

| Ref. No. | Part Code | Part Name and Number |
|---------------------|-----------|------------------------------|
| C1 | CU8006 | Chip C, C2012B1E 0.022 µF |
| C2 | CU8001 | Chip C, C2012B1H 0.001 µF |
| C3 | CU8006 | Chip C, C2012B1E 0.022 µF |
| C4 | CU8006 | Chip C, C2012B1E 0.022 µF |
| C5 | CU8007 | Chip C, C2012Y1H 0.047 µF |
| C6 | CU8006 | Chip C, C2012B1E 0.022 µF |
| C7 | CS0057 | Chip Tantal, TMC0J225 |
| C8 | CS0057 | Chip Tantal, TMC0J225 |
| C9 | CS0063 | Chip Tantal, TMC1V104 |
| C10 | CU0051 | Chip C, C2012CH1H 470 pF |
| C11 | CU8002 | Chip C, C2012B1H 0.01 µF |
| C12 | CU8001 | Chip C, C2012B1H 0.001 µF |
| C13 | CU0011 | Chip C, C2012CH1H 10 pF |
| C14 | CU0011 | Chip C, C2012CH1H 10 pF |
| L1 | QC0055 | Chip Coil, NL322522T-010M |
| UHF VCO Unit | | |
| Q1 | XE0010 | FET, 2SK508K52 |
| Q2 | XT0082 | Transistor, 2SC3120 |
| Q3 | XT0031 | Transistor, 2SC2712Y |
| D1 | XD0100 | Varicap, 1SV164 |
| D2 | XD0100 | Varicap, 1SV164 |
| D3 | XD0111 | Diode, HSK277 |
| D4 | XD0100 | Varicap, 1SV164 |
| L1 | QC0094 | Chip L, MLFLER015TR22M |
| L2 | QC0094 | Chip L, MLFLER015TR22M |
| L3 | QK0075 | Air Core Coil 0.6-2X5T-RM |
| L4 | QC0094 | Chip L, MLFLER015TR22M |
| L5 | QC0034 | Chip Coil, LER015TR39M |
| TC1 | CT0028 | Trimmer C, ECRJA006A12 |
| TC1 | CT0028 | Trimmer C, ECRJA006A12 |
| R1 | RK0107 | Chip R, MCR10 0Ω |
| R2 | RK0062 | Chip R, MCR10 47 kΩ |
| R3 | RK0045 | Chip R, MCR10 4.7 kΩ |
| R4 | RK0045 | Chip R, MCR10 4.7 kΩ |
| R5 | RK0050 | Chip R, MCR10 8.2 kΩ |
| R6 | RK0045 | Chip R, MCR10 4.7 kΩ |
| R7 | RK0011 | Chip R, MCR10 47Ω |
| R8 | RK0011 | Chip R, MCR10 47Ω |
| R9 | RK0018 | Chip R, MCR10 100Ω |
| R10 | RK0062 | Chip R, MCR10 4.7 kΩ |
| R11 | RK0028 | Chip R, MCR10 470Ω |
| C1 | CU0051 | Chip C, C2012CH1H 470 pF |
| C2 | CU0029 | Chip C, C2012CH1H 56 pF |
| C3 | CU8001 | Chip C, C2012B1H 0.001 µF |
| C4 | CU0006 | Chip C, C2012CH1H 5 pF |
| C5 | CU0006 | Chip C, C2012CH1H 5 pF |
| C6 | CU0001 | Chip C, C2012CH1H 0.5 pF |
| C8 | CU0010 | Chip C, C2012CH1H 9 pF |
| C9 | CU0009 | Chip C, C2012CH1H 8 pF |
| C10 | CU8001 | Chip C, C2012B1H 0.001 µF |
| C11 | CU0002 | Chip C, C2012CH1H 1 pF |
| C12 | CU8001 | Chip C, C2012B1H 0.001 µF |
| C13 | CU0051 | Chip C, C2012CH1H 470 pF |
| CPU Unit | | |
| IC1 | XA0088 | IC, µPD75112GF-517-3BE |
| IC2 | XA0089 | IC, NJM78L06UA |
| Q1 | XT0031 | Transistor, 2SC2712Y |
| Q2 | XT0031 | Transistor, 2SC2712Y |
| Q3 | XU0012 | Transistor, DTC114EK |
| Q4 | XT0061 | Transistor, 2SB1132Q |
| D1 | XD0057 | Diode, 1SS184 |
| D2 | XD0057 | Diode, 1SS184 |
| D4 | XD0057 | Diode, 1SS184 |
| D5 | XD0057 | Diode, 1SS184 (DR-570E only) |
| D6 | XD0057 | Diode, 1SS184 |

| Ref. No. | Part Code | Part Name and Number |
|----------|-----------|--|
| X1 | XB0002 | FAR, C4CA0419000K01 |
| R1 | RK0051 | Chip R, MCR10 9.1 kΩ |
| R2 | RK0069 | Chip R, MCR10 100 kΩ |
| R3 | RK0079 | Chip R, MCR10 470 kΩ |
| R4 | RK0079 | Chip R, MCR10 470 kΩ |
| R5 | RK0064 | Chip R, MCR10 56 kΩ |
| R6 | RK0062 | Chip R, MCR10 47 kΩ |
| R7 | RK0035 | Chip R, MCR10 1 kΩ |
| R8 | RK0035 | Chip R, MCR10 1 kΩ |
| R9 | RK0035 | Chip R, MCR10 1 kΩ |
| R10 | RK0035 | Chip R, MCR10 1 kΩ |
| R11 | RK0062 | Chip R, MCR10 47 kΩ |
| R12 | RK0062 | Chip R, MCR10 47 kΩ |
| R13 | RK0062 | Chip R, MCR10 47 kΩ |
| R22 | RK0062 | Chip R, MCR10 47 kΩ |
| R23 | RK0062 | Chip R, MCR10 47 kΩ |
| R24 | RK0062 | Chip R, MCR10 47 kΩ |
| R25 | RK0062 | Chip R, MCR10 47 kΩ |
| R26 | RK0062 | Chip R, MCR10 47 kΩ |
| R27 | RK0062 | Chip R, MCR10 47 kΩ |
| R28 | RK0062 | Chip R, MCR10 47 kΩ |
| R29 | RK0062 | Chip R, MCR10 47 kΩ |
| R30 | RK0062 | Chip R, MCR10 47 kΩ |
| R31 | RK0062 | Chip R, MCR10 47 kΩ |
| R32 | RK0062 | Chip R, MCR10 47 kΩ |
| R33 | RK0062 | Chip R, MCR10 47 kΩ |
| R34 | RK0062 | Chip R, MCR10 47 kΩ |
| R35 | RK0062 | Chip R, MCR10 47 kΩ |
| R36 | RK0062 | Chip R, MCR10 47 kΩ |
| R37 | RK0062 | Chip R, MCR10 47 kΩ |
| R38 | RK0062 | Chip R, MCR10 47 kΩ |
| R39 | RK0062 | Chip R, MCR10 47 kΩ |
| R40 | RK0062 | Chip R, MCR10 47 kΩ |
| R44 | RK0052 | Chip R, MCR10 10 kΩ |
| R45 | RK0062 | Chip R, MCR10 47 kΩ |
| R46 | RK0107 | Chip R, MCR10 0Ω (DR-570T only) |
| R47 | RK0070 | Chip R, MCR10 120 kΩ (DR-570E only) |
| R48 | RK0035 | Chip R, MCR10 1 kΩ |
| R49 | RK0037 | Chip R, MCR10 1.5 kΩ |
| R50 | RK0037 | Chip R, MCR10 1.5 kΩ |
| R51 | RD1010 | R, 3.3Ω ½ W |
| R52 | RD1011 | R, 22Ω ½ W |
| J1 | RD0108 | Jumper, JPW01R-01 |
| J2 | RD0108 | Jumper, JPW01R-01 (DR-570T only) |
| J3 | RD0108 | Jumper, JPW01R-01 (DR-570E only) |
| J4 | RD0108 | Jumper, JPW01R-01 (DR-570E only) |
| J5 | RD0108 | Jumper, JPW01R-01 |
| J10 | RK1107 | Chip R, MCR18 0Ω |
| J11 | RK1107 | Chip R, MCR18 0Ω |
| J12 | RK1107 | Chip R, MCR18 0Ω |
| J13 | RK1107 | Chip R, MCR18 0Ω |
| J14 | RK1107 | Chip R, MCR18 0Ω |
| J15 | RK1107 | Chip R, MCR18 0Ω |
| C1 | CU8002 | Chip C, C2012B1H 0.01 µF |
| C2 | CU8006 | Chip C, C2012B1E 0.022 µF |
| C3 | CE0037 | Chemical C, MS5 100 µF/6 V |
| C4 | CE0037 | Chemical C, MS5 100 µF/6 V |
| C5 | CU8038 | Chip C, CM316Y1E 1 µFZ |
| C6 | CU8001 | Chip C, C2012B1H 0.001 µF |
| C7 | CU8001 | Chip C, C2012B1H 0.001 µF |
| C8 | CU8001 | Chip C, C2012B1H 0.001 µF |
| C9 | CU8003 | Chip C, C2012B1H 0.1 µF |
| C10 | CU8001 | Chip C, C2012B1H 0.001 µF |
| C11 | CE0037 | Chemical C, MS5 100 µF/6 V |
| C12 | CU8003 | Chip C, C2012B1H 0.1 µF (DR-570E only) |
| RE1 | UR0002 | Rotary Encoder, EVQ-WQGF1524B |
| RE2 | UR0003 | Rotary Encoder, EVQ-WT2F2006B |
| LP1 | EP0006 | Lamp, BQ031-30659A |
| LP2 | EP0006 | Lamp, BQ031-30659A |
| LP3 | EP0006 | Lamp, BQ031-30659A |
| LP4 | EP0006 | Lamp, BQ031-30659A |

| Ref. No. | Part Code | Part Name and Number |
|----------|-----------|---------------------------------------|
| LP5 | EP0006 | Lamp, BQ031-30659A |
| LP6 | EP0006 | Lamp, BQ031-30659A |
| LB1 | ED0001 | Lithium Battery, M2BC200 |
| S1 | UU0007 | Tact Switch, EVQ-QEC-04K |
| S2 | UU0007 | Tact Switch, EVQ-QEC-04K |
| S3 | UU0007 | Tact Switch, EVQ-QEC-04K |
| S4 | UU0007 | Tact Switch, EVQ-QEC-04K |
| S5 | UU0007 | Tact Switch, EVQ-QEC-04K |
| S6 | UU0007 | Tact Switch, EVQ-QEC-04K |
| S7 | UU0007 | Tact Switch, EVQ-QEC-04K |
| S8 | UU0007 | Tact Switch, EVQ-QEC-04K |
| S9 | UU0007 | Tact Switch, EVQ-QEC-04K |
| S10 | UU0007 | Tact Switch, EVQ-QEC-04K |
| S11 | UU0007 | Tact Switch, EVQ-QEC-04K |
| S12 | UU0007 | Tact Switch, EVQ-QEC-04K |
| S13 | UU0007 | Tact Switch, EVQ-QEC-04K |
| S14 | UU0007 | Tact Switch, EVQ-QEC-04K |
| S15 | UQ0011 | Push Switch, ESB64801 |
| CN1 | UE0035 | Mic Connector, FM214-8SMPY |
| | FP0034 | Mic Spacer |
| VR1 | RH0031 | VR, CVR-42A-103AW1D (DR-570E only) |

Control Unit

| | | |
|-----|--------|---|
| IC1 | XA0097 | IC, NJM4558M |
| IC2 | XA0097 | IC, NJM4558M |
| IC3 | XA0095 | IC, NJU4066BM |
| IC4 | XA0019 | IC, μ PD4094BG |
| IC5 | XA0094 | IC, NJM78M08FA |
| Q1 | XU0012 | Transistor, DTC114EK (DR-570E only) |
| Q2 | XU0012 | Transistor, DTC114EK |
| Q3 | XU0012 | Transistor, DTC114EK (DR-570E only) |
| Q4 | XT0031 | Transistor, 2SC2712Y |
| Q5 | XT0031 | Transistor, 2SC2712Y |
| Q6 | XT0031 | Transistor, 2SC2712Y |
| Q7 | XT0031 | Transistor, 2SC2712Y |
| Q8 | XT0076 | Transistor, 2SC3295B |
| Q9 | XT0076 | Transistor, 2SC3295B |
| Q10 | XT0031 | Transistor, 2SC2712Y |
| Q11 | XT0031 | Transistor, 2SC2712Y |
| Q12 | XT0031 | Transistor, 2SC2712Y |
| Q13 | XT0031 | Transistor, 2SC2712Y |
| Q14 | XT0031 | Transistor, 2SC2712Y |
| Q15 | XT0076 | Transistor, 2SC3295B |
| Q16 | XT0076 | Transistor, 2SC3295B |
| Q17 | XT0031 | Transistor, 2SC2712Y |
| Q18 | XU0012 | Transistor, DTC114EK (DR-570E only) |
| Q19 | XT0031 | Transistor, 2SC2712Y |
| Q20 | XU0012 | Transistor, DTC114EK |
| Q21 | XT0077 | Transistor, 2SC3326A |
| Q22 | XT0077 | Transistor, 2SC3326A |
| Q23 | XT0031 | Transistor, 2SC2712Y |
| D1 | XD0103 | Diode, 1SS226 |
| D2 | XD0103 | Diode, 1SS226 |
| D3 | XD0103 | Diode, 1SS226 |
| D4 | XD0103 | Diode, 1SS226 |
| R1 | RK0052 | Chip R, MCR10 10 k Ω |
| R2 | RK0039 | Chip R, MCR10 2.2 k Ω (DR-570E only) |
| R3 | RK0057 | Chip R, MCR10 27 k Ω |
| R4 | RK0079 | Chip R, MCR10 470 k Ω |
| R5 | RK0039 | Chip R, MCR10 2.2 k Ω |
| R6 | RK0081 | Chip R, MCR10 560 k Ω |
| R7 | RK0062 | Chip R, MCR10 47 k Ω |
| R8 | RK0069 | Chip R, MCR10 100 k Ω |
| R9 | RK0062 | Chip R, MCR10 47 k Ω |
| R10 | RK0040 | Chip R, MCR10 2.7 k Ω |
| R11 | RK0081 | Chip R, MCR10 560 k Ω |
| R12 | RK0040 | Chip R, MCR10 2.7 k Ω |

| Ref. No. | Part Code | Part Name and Number |
|----------|-----------|---|
| R13 | RK0020 | Chip R, MCR10 150 Ω |
| R14 | RK0052 | Chip R, MCR10 10 k Ω |
| R15 | RK0042 | Chip R, MCR10 3.3 k Ω |
| R16 | RK0056 | Chip R, MCR10 22 k Ω |
| R17 | RK0048 | Chip R, MCR10 6.8 k Ω |
| R18 | RK0079 | Chip R, MCR10 470 k Ω |
| R19 | RK0069 | Chip R, MCR10 100 k Ω |
| R20 | RK0045 | Chip R, MCR10 4.7 k Ω |
| R21 | RK0035 | Chip R, MCR10 1 k Ω |
| R22 | RK0056 | Chip R, MCR10 22 k Ω |
| R23 | RK0061 | Chip R, MCR10 39 k Ω |
| R24 | RK0010 | Chip R, MCR10 39 Ω |
| R25 | RK0040 | Chip R, MCR10 2.7 k Ω |
| R28 | RK0039 | Chip R, MCR10 2.2 k Ω (DR-570T only) |
| R29 | RK0035 | Chip R, MCR10 1 k Ω |
| R30 | RK0039 | Chip R, MCR10 2.2 k Ω |
| R31 | RK0042 | Chip R, MCR10 3.3 k Ω (DR-570E only) |
| R31 | RK0037 | Chip R, MCR10 1.5 k Ω (DR-570T only) |
| R32 | RK0052 | Chip R, MCR10 10 k Ω |
| R33 | RK0076 | Chip R, MCR10 330 k Ω (DR-570E only) |
| R33 | RK0071 | Chip R, MCR10 150 k Ω (DR-570T only) |
| R34 | RK0030 | Chip R, MCR10 560 Ω |
| R35 | RK0047 | Chip R, MCR10 5.6 k Ω |
| R36 | RK0054 | Chip R, MCR10 15 k Ω |
| R37 | RK0086 | Chip R, MCR10 1 M Ω |
| R38 | RK0047 | Chip R, MCR10 5.6 k Ω |
| R39 | RK0018 | Chip R, MCR10 100 Ω |
| R40 | RK0072 | Chip R, MCR10 180 k Ω |
| R41 | RK0073 | Chip R, MCR10 220 k Ω |
| R42 | RK0062 | Chip R, MCR10 47 k Ω |
| R43 | RK0059 | Chip R, MCR10 33 k Ω |
| R44 | RK0062 | Chip R, MCR10 47 k Ω |
| R45 | RK0073 | Chip R, MCR10 220 k Ω |
| R46 | RK0076 | Chip R, MCR10 330 k Ω |
| R47 | RK0067 | Chip R, MCR10 82 k Ω |
| R48 | RK0067 | Chip R, MCR10 82 k Ω |
| R49 | RK0067 | Chip R, MCR10 82 k Ω |
| R50 | RK0052 | Chip R, MCR10 10 k Ω |
| R51 | RK0052 | Chip R, MCR10 10 k Ω |
| R52 | RK0039 | Chip R, MCR10 2.2 k Ω |
| R53 | RK0079 | Chip R, MCR10 470 k Ω |
| R54 | RK0022 | Chip R, MCR10 220 Ω |
| R55 | RK0069 | Chip R, MCR10 100 k Ω |
| R56 | RK0069 | Chip R, MCR10 100 k Ω |
| R57 | RK0033 | Chip R, MCR10 820 Ω |
| R58 | RK0052 | Chip R, MCR10 10 k Ω |
| R59 | RK0039 | Chip R, MCR10 2.2 k Ω |
| R60 | RK0052 | Chip R, MCR10 10 k Ω |
| R61 | RK0057 | Chip R, MCR10 27 k Ω |
| R62 | RK0079 | Chip R, MCR10 470 k Ω |
| R63 | RK0039 | Chip R, MCR10 2.2 k Ω |
| R64 | RK0028 | Chip R, MCR10 470 Ω |
| R65 | RK0081 | Chip R, MCR10 560 k Ω |
| R66 | RK0040 | Chip R, MCR10 2.7 k Ω |
| R67 | RK0081 | Chip R, MCR10 560 k Ω |
| R68 | RK0040 | Chip R, MCR10 2.7 k Ω |
| R69 | RK0020 | Chip R, MCR10 150 Ω |
| R70 | RK0018 | Chip R, MCR10 100 Ω |
| R71 | RK0042 | Chip R, MCR10 3.3 k Ω |
| R72 | RK0056 | Chip R, MCR10 22 k Ω |
| R73 | RK0052 | Chip R, MCR10 10 k Ω |
| R74 | RK0048 | Chip R, MCR10 6.8 k Ω |
| R75 | RK0069 | Chip R, MCR10 100 k Ω |
| R76 | RK0079 | Chip R, MCR10 470 k Ω |
| R77 | RK0045 | Chip R, MCR10 4.7 k Ω |
| R78 | RK0035 | Chip R, MCR10 1 k Ω |
| R79 | RK0056 | Chip R, MCR10 22 k Ω |
| R80 | RK0061 | Chip R, MCR10 39 k Ω |
| R81 | RK0040 | Chip R, MCR10 2.7 k Ω |
| R82 | RK0010 | Chip R, MCR10 39 Ω |
| R84 | RK0069 | Chip R, MCR10 100 k Ω |
| R85 | RK0035 | Chip R, MCR10 1 k Ω |
| R86 | RK0042 | Chip R, MCR10 3.3 k Ω |
| R87 | RK0042 | Chip R, MCR10 3.3 k Ω |
| R88 | RK0069 | Chip R, MCR10 100 k Ω |
| R89 | RK0045 | Chip R, MCR10 4.7 k Ω |
| R90 | RK0045 | Chip R, MCR10 4.7 k Ω |

| Ref. No. | Part Code | Part Name and Number |
|----------|-----------|---|
| R91 | RK0056 | Chip R, MCR10 22 k Ω |
| R92 | RK0056 | Chip R, MCR10 22 k Ω |
| R93 | RK0035 | Chip R, MCR10 1 k Ω |
| J1 | RK0107 | Chip R, MCR10 0 Ω |
| J2 | RK0107 | Chip R, MCR10 0 Ω |
| J3 | RK0107 | Chip R, MCR10 0 Ω |
| J4 | RK0107 | Chip R, MCR10 0 Ω |
| J5 | RK0107 | Chip R, MCR10 0 Ω |
| J6 | RK0107 | Chip R, MCR10 0 Ω |
| J7 | RK0107 | Chip R, MCR10 0 Ω |
| J8 | RK0107 | Chip R, MCR10 0 Ω |
| J10 | RK1107 | Chip R, MCR18 0 Ω |
| J11 | RK1107 | Chip R, MCR18 0 Ω |
| J12 | RK1107 | Chip R, MCR18 0 Ω |
| J13 | RK1107 | Chip R, MCR18 0 Ω |
| J14 | RK0107 | Chip R, MCR10 0 Ω |
| J15 | RK0107 | Chip R, MCR10 0 Ω |
| J16 | RK0107 | Chip R, MCR10 0 Ω |
| J17 | RK0107 | Chip R, MCR10 0 Ω (DR-570E only) |
| J19 | RK1107 | Chip R, MCR18 0 Ω |
| J20 | RK1107 | Chip R, MCR18 0 Ω |
| J21 | RK1107 | Chip R, MCR18 0 Ω |
| J22 | RK1107 | Chip R, MCR18 0 Ω |
| J23 | RK1107 | Chip R, MCR18 0 Ω |
| J24 | RK1107 | Chip R, MCR18 0 Ω |
| J25 | RK1107 | Chip R, MCR18 0 Ω (DR-570E only) |
| J26 | RK1107 | Chip R, MCR18 0 Ω |
| C1 | CU8003 | Chip C, C2012B1H 0.1 μ F |
| C2 | CU0035 | Chip C, C2012CH1H 100 pF |
| C3 | CU8002 | Chip C, C2012B1H 0.01 μ F |
| C4 | CU8023 | Chip C, C2012B1H 0.0039 μ FK |
| C5 | CS0049 | Chip Tantal, TMC1C105 |
| C6 | CS0052 | Chip Tantal, TMC1A336 |
| C7 | CU8003 | Chip C, C2012B1H 0.1 μ F |
| C8 | CU8001 | Chip C, C2012B1H 0.001 μ F |
| C9 | CU8003 | Chip C, C2012B1H 0.1 μ F |
| C10 | CU8001 | Chip C, C2012B1H 0.001 μ F |
| C11 | CU8035 | Chip C, C2012B1E 0.039 μ FK |
| C12 | CS0052 | Chip Tantal, TMC1A336 |
| C13 | CE0097 | Chemical C, MS5 68 μ F/10 V |
| C14 | CU8001 | Chip C, C2012B1H 0.001 μ F |
| C15 | CU8001 | Chip C, C2012B1H 0.001 μ F |
| C16 | CU8002 | Chip C, C2012B1H 0.01 μ F |
| C17 | RK1107 | Chip R, MCR18 0 Ω (DR-570E only) |
| C17 | CU8038 | Chip C, CM316Y1E 1 μ FZ (DR-570T only) |
| C18 | CU0035 | Chip C, C2012CH1H 100 pF |
| C19 | CU0035 | Chip C, C2012CH1H 100 pF |
| C20 | CU8034 | Chip C, C2012B1E 0.033 μ FK |
| C21 | CU8034 | Chip C, C2012B1E 0.033 μ FK |
| C22 | CU8038 | Chip C, CM316Y1E 1 μ FZ |
| C23 | CU8024 | Chip C, C2012B1H 0.0047 μ FK |
| C24 | CU0053 | Chip C, C2012CH1H 560 pF |
| C25 | CU8032 | Chip C, C2012B1H 0.01 μ F |
| C26 | CS0049 | Chip Tantal, TMC1C105 |
| C27 | CU8038 | Chip C, CM316Y1E 1 μ FZ |
| C28 | CU0057 | Chip C, C2012CH1H 820 pF |
| C29 | CU8008 | Chip C, C2012B1H 0.0027 μ FK |
| C30 | CU0035 | Chip C, C2012CH1H 100 pF |
| C31 | CU0035 | Chip C, C2012CH1H 100 pF |
| C32 | CU8024 | Chip C, C2012B1H 0.0047 μ FK |
| C33 | CS0057 | Chip Tantal, TMC0J225 |
| C34 | CU8003 | Chip C, C2012B1H 0.1 μ F |
| C35 | CU0023 | Chip C, C2012CH1H 33 pF |
| C36 | CU8002 | Chip C, C2012B1H 0.01 μ F |
| C37 | CU8024 | Chip C, C2012B1H 0.0047 μ FK |
| C38 | CS0057 | Chip Tantal, TMC0J225 |
| C39 | CU8002 | Chip C, C2012B1H 0.01 μ F |
| C40 | CU8003 | Chip C, C2012B1H 0.1 μ F |
| C41 | CS0049 | Chip Tantal, TMC1C105 |
| C42 | CS0065 | Chip Tantal, TMC1D684 |
| C43 | CS0052 | Chip Tantal, TMC1A336 |
| C44 | CU8034 | Chip C, C2012B1E 0.033 μ FK |
| C45 | CU8030 | Chip C, C2012B1H 0.015 μ FK |
| C46 | CU8034 | Chip C, C2012B1E 0.033 μ FK |

| Ref. No. | Part Code | Part Name and Number |
|-------------------------------|-----------|------------------------------|
| C47 | CU8035 | Chip C, C2012B1E 0.039 μFK |
| C48 | CU8038 | Chip C, CM316Y1E 1 μFZ |
| C49 | CE0097 | Chemical C, MS5 68 μF/10 V |
| C50 | CU8002 | Chip C, C2012B1H 0.01 μF |
| C51 | CU0053 | Chip C, C2012CH1H 560 pF |
| C52 | CU8024 | Chip C, C2012B1H 0.0047 μFK |
| C53 | CU8024 | Chip C, C2012B1H 0.0047 μFK |
| C54 | CU0023 | Chip C, C2012CH1H 33 pF |
| C55 | CU8002 | Chip C, C2012B1H 0.01 μF |
| C56 | CU8024 | Chip C, C2012B1H 0.0047 μFK |
| C57 | CS0051 | Chip Tantal, TMC1C106 |
| C58 | CS0057 | Chip Tantal, TMC0J225 |
| C59 | CU8002 | Chip C, C2012B1H 0.01 μF |
| C60 | CU8003 | Chip C, C2012B1H 0.1 μF |
| C61 | CS0049 | Chip Tantal, TMC1C105 |
| C62 | CS0065 | Chip Tantal, TMC1D684 |
| C63 | CS0052 | Chip Tantal, TMC1A336 |
| C64 | CU8030 | Chip C, C2012B1H 0.015 μFK |
| C65 | CU8034 | Chip C, C2012B1E 0.033 μFK |
| C66 | CU8034 | Chip C, C2012B1E 0.033 μFK |
| C67 | CS0057 | Chip Tantal, TMC0J225 |
| C68 | CS0057 | Chip Tantal, TMC0J225 |
| C69 | CU0035 | Chip C, C2012CH1H 100 pF |
| C70 | CU8001 | Chip C, C2012B1H 0.001 μF |
| C71 | CU8001 | Chip C, C2012B1H 0.001 μF |
| L1 | QC0049 | Chip Coil, NL322522T-221K |
| L2 | QC0050 | Chip Coil, LQH4N102K |
| L3 | QC0049 | Chip Coil, NL322522T-221K |
| L4 | QC0050 | Chip Coil, LQH4N102K |
| Duplexer Unit | | |
| D1 | XD0058 | Diode, 1SS181 |
| C1 | CC5022 | Ceramic C, HM60SJSLS270J |
| C2 | CC5022 | Ceramic C, HM60SJSLS270J |
| C4 | CU0051 | Chip C, C2012CH1H 470 pF |
| C6 | CC5015 | Ceramic C, HM60SJSLS060D |
| C7 | CC5014 | Ceramic C, HM60SJSLS040C |
| C8 | CC5015 | Ceramic C, HM60SJSLS060D |
| C9 | CC5002 | Ceramic C, 10 pF 500 V SL |
| L1 | QK0055 | Air Core Coil, 3 ∅ 6 T |
| L2 | QK0055 | Air Core Coil, 3 ∅ 6 T |
| L3 | QK0054 | Air Core Coil, 3 ∅ 1.5 T |
| L4 | QC0039 | Chip Coil, NL 322522T-1ROM |
| L5 | QK0054 | Air Core Coil, 3 ∅ 1.5 T |
| L6 | QK0054 | Air Core Coil, 3 ∅ 1.5 T |
| RL1 | UL0008 | Relay, AG201744 |
| Crystal Converter Unit | | |
| IC1 | XA0098 | IC, NJM78L05UA |
| Q1 | XT0072 | Transistor, 2SC3011 |
| Q2 | XT0030 | Transistor, 2SC3356 |
| Q3 | XT0039 | Transistor, 2SC2668Y |
| Q4 | XT0019 | Transistor, 2SC2407 |
| Q5 | XT0035 | Transistor, 2SC3429 |
| Q6 | XT0039 | Transistor, 2SC2668Y |
| Q7 | XU0022 | Digital Transistor, DTA114EK |
| Q8 | XU0022 | Digital Transistor, DTA114EK |
| D1 | XD0070 | Diode, 1SS265 |
| D2 | XD0070 | Diode, 1SS265 |
| D3 | XD0070 | Diode, 1SS265 |
| D4 | XD0070 | Diode, 1SS265 |
| D5 | XD0040 | Diode, DAN202K |
| D6 | XD0058 | Diode, 1SS181 |
| X1 | XQ0024 | X'tal, UM-1 40.5 MHz |
| X2 | XQ0025 | X'tal, UM-1 40.0 MHz |
| CN⊗ | UE0055 | Post with Base, PI22B02M |
| CN⊙ | UE0055 | Post with Base, PI22B02M |

| Ref. No. | Part Code | Part Name and Number |
|----------|-----------|---------------------------|
| | TZ0021 | Insulating Paper |
| R1 | RK0064 | Chip R, MCR10 56 kΩ |
| R2 | RK0052 | Chip R, MCR10 10 kΩ |
| R3 | RK0040 | Chip R, MCR10 2.7 kΩ |
| R4 | RK0059 | Chip R, MCR10 33 kΩ |
| R5 | RK0052 | Chip R, MCR10 10 kΩ |
| R6 | RK0028 | Chip R, MCR10 470 Ω |
| R7 | RK0022 | Chip R, MCR10 220 Ω |
| R8 | RK0031 | Chip R, MCR10 680 Ω |
| R9 | RK0039 | Chip R, MCR10 2.2 kΩ |
| R10 | RK0054 | Chip R, MCR10 15 kΩ |
| R11 | RK0054 | Chip R, MCR10 15 kΩ |
| R12 | RK0033 | Chip R, MCR10 820 Ω |
| R13 | RK0031 | Chip R, MCR10 680 Ω |
| R14 | RK0045 | Chip R, MCR10 4.7 kΩ |
| R15 | RK0054 | Chip R, MCR10 15 kΩ |
| R16 | RK0025 | Chip R, MCR10 330 Ω |
| R17 | RK0069 | Chip R, MCR10 100 kΩ |
| R18 | RK0025 | Chip R, MCR10 330 Ω |
| R19 | RK0052 | Chip R, MCR10 10 kΩ |
| R20 | RK0039 | Chip R, MCR10 2.2 kΩ |
| R21 | RK0054 | Chip R, MCR10 15 kΩ |
| R22 | RK0033 | Chip R, MCR10 820 Ω |
| R23 | RK0018 | Chip R, MCR10 100 Ω |
| R24 | RK0054 | Chip R, MCR10 15 kΩ |
| R25 | RK0039 | Chip R, MCR10 2.2 kΩ |
| C1 | CU0006 | Chip C, C2012CH1H 5 pF |
| C2 | CU0003 | Chip C, C2012CH1H 2 pF |
| C3 | CU0003 | Chip C, C2012CH1H 2 pF |
| C4 | CU0006 | Chip C, C2012CH1H 5 pF |
| C5 | CU0001 | Chip C, C2012CH1H 0.5 pF |
| C6 | CU0051 | Chip C, C2012CH1H 470 pF |
| C7 | CU0051 | Chip C, C2012CH1H 470 pF |
| C8 | CU0006 | Chip C, C2012CH1H 5 pF |
| C9 | CU8001 | Chip C, C2012B1H 0.001 μF |
| C10 | CU0019 | Chip C, C2012CH1H 22 pF |
| C11 | CU0006 | Chip C, C2012CH1H 5 pF |
| C12 | CU0002 | Chip C, C2012CH1H 1 pF |
| C13 | CU8001 | Chip C, C2012B1H 0.001 μF |
| C14 | CU8001 | Chip C, C2012B1H 0.001 μF |
| C15 | CU8001 | Chip C, C2012B1H 0.001 μF |
| C16 | CU0015 | Chip C, C2012CH1H 15 pF |
| C17 | CU0015 | Chip C, C2012CH1H 15 pF |
| C18 | CU0027 | Chip C, C2012CH1H 47 pF |
| C19 | CU0005 | Chip C, C2012CH1H 4 pF |
| C20 | CU0003 | Chip C, C2012CH1H 2 pF |
| C21 | CU0004 | Chip C, C2012CH1H 3 pF |
| C22 | CU8001 | Chip C, C2012B1H 0.001 μF |
| C23 | CU0013 | Chip C, C2012CH1H 12 pF |
| C24 | CU8001 | Chip C, C2012B1H 0.001 μF |
| C25 | CU8001 | Chip C, C2012B1H 0.001 μF |
| C26 | CU8001 | Chip C, C2012B1H 0.001 μF |
| C27 | CU8001 | Chip C, C2012B1H 0.001 μF |
| C28 | CU0027 | Chip C, C2012CH1H 47 pF |
| C29 | CU8001 | Chip C, C2012B1H 0.001 μF |
| C30 | CU0005 | Chip C, C2012CH1H 4 pF |
| C31 | CU8001 | Chip C, C2012B1H 0.001 μF |
| C32 | CU0011 | Chip C, C2012CH1H 10 pF |
| C33 | CU0006 | Chip C, C2012CH1H 5 pF |
| C34 | CU0008 | Chip C, C2012CH1H 7 pF |
| C35 | CU8001 | Chip C, C2012B1H 0.001 μF |
| C36 | CU8001 | Chip C, C2012B1H 0.001 μF |
| C37 | CU0015 | Chip C, C2012CH1H 15 pF |
| C38 | CU8001 | Chip C, C2012B1H 0.001 μF |
| C39 | CU0015 | Chip C, C2012CH1H 15 pF |
| C40 | CU0027 | Chip C, C2012CH1H 47 pF |
| C41 | CU0015 | Chip C, C2012CH1H 15 pF |
| C42 | CU0027 | Chip C, C2012CH1H 47 pF |
| C43 | CU0005 | Chip C, C2012CH1H 4 pF |
| C44 | CU8001 | Chip C, C2012B1H 0.001 μF |
| C45 | CU0002 | Chip C, C2012CH1H 1 pF |
| C46 | CU0001 | Chip C, C2012CH1H 0.5 pF |
| C47 | CU0003 | Chip C, C2012CH1H 2 pF |
| C48 | CU0005 | Chip C, C2012CH1H 4 pF |
| C49 | CU0006 | Chip C, C2012CH1H 5 pF |

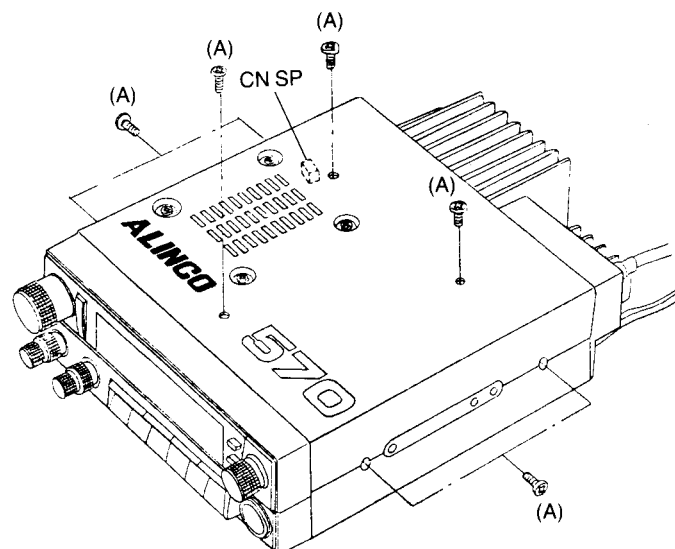
| Ref. No. | Part Code | Part Name and Number |
|--------------------------|-----------|-------------------------------|
| C50 | CU8001 | Chip C, C2012B1H 0.001 μF |
| C51 | CU8001 | Chip C, C2012B1H 0.001 μF |
| C52 | CU8001 | Chip C, C2012B1H 0.001 μF |
| C53 | CU0027 | Chip C, C2012CH1H 47 pF |
| C54 | CU0051 | Chip C, C2012CH1H 470 pF |
| C55 | CE0198 | Chemical C, MS5 100 μF/10 V |
| C56 | CE0198 | Chemical C, MS5 100 μF/10 V |
| C57 | CU8001 | Chip C, C2012B1H 0.001 μF |
| L1 | QK0036 | Air Core Coil, 3 ∅ 1.5 T |
| L2 | QK0036 | Air Core Coil, 3 ∅ 1.5 T |
| L3 | QK0037 | Air Core Coil, 3 ∅ 2.5 T |
| L4 | QK0037 | Air Core Coil, 3 ∅ 2.5 T |
| L5 | QA0030 | HF Coil |
| L6 | QA0031 | HF Coil |
| L7 | QA0032 | HF Coil |
| L8-A | RD0108 | JBW01R-01 |
| L8-B | RD0108 | JBW01R-01 |
| L9 | QA0030 | HF Coil |
| L10 | QA0033 | HF Coil |
| L11 | QA0034 | HF Coil |
| L12 | QA0036 | HF Coil |
| L13 | QA0035 | HF Coil |
| L14 | QC0071 | Chip Coil, NL322522T-R22K |
| L15 | QC0045 | Chip Coil, NL322522T-3R3M |
| TC1 | CT0013 | Trimmer C, ECR-GA003A30 |
| TC2 | CT0013 | Trimmer C, ECR-GA003A30 |
| TC3 | CT0013 | Trimmer C, ECR-GA003A30 |
| TC4 | CT0013 | Trimmer C, ECR-GA003A30 |
| TC5 | CT0001 | Trimmer C, ECR-GA010D30 |
| TC6 | CT0001 | Trimmer C, ECR-GA010D30 |
| Power Source Unit | | |
| C75 | CU8001 | Chip C, C2012B1H 0.001 μF |
| C76 | CU8001 | Chip C, C2012B1H 0.001 μF |
| C77 | CU8001 | Chip C, C2012B1H 0.001 μF |
| C78 | CE0193 | Chemical C, TWSS 1000 μF/16 V |
| L21 | QL0007 | Coil, AF Choke |
| D12 | XD0107 | Diode, G3B |
| CN⊗ | UE0069 | Post with Base, PI22A03M |
| VHF Final Unit | | |
| IC1 | XA0043 | Module, M57726 |
| Q2 | XT0020 | Transistor, 2SC2538 |
| Q3 | XT0041 | Transistor, FMW1 |
| Q6 | XU0012 | Digital Transistor, DTC 114EK |
| D1 | XD0057 | Diode, 1SS184 |
| D2 | XD0106 | Diode, UM9401 |
| D3 | XD0014 | Diode, M308 |
| D4 | XD0102 | Diode, 1SS101 |
| D5 | XD0057 | Diode, 1SS184 |
| R1 | RK0023 | Chip R, MCR10 270 Ω |
| R2 | RK0004 | Chip R, MCR10 18 Ω |
| R3 | RK0023 | Chip R, MCR10 270 Ω |
| R4 | RK0011 | Chip R, MCR10 47 Ω |
| R5 | RK0037 | Chip R, MCR10 1.5 kΩ |
| R6 | RD1011 | R, 1/2 W 22 Ω |
| R10 | RK0107 | Chip R, MCR10 0 Ω |
| R11 | RD1008 | R, 1/2 W 150 Ω |
| R13 | RK0056 | Chip R, MCR10 22 kΩ |
| R14 | RK0056 | Chip R, MCR10 22 kΩ |
| R15 | RK0107 | Chip R, MCR10 0 Ω |
| R16 | RK0056 | Chip R, MCR10 22 kΩ |
| R17 | RK0059 | Chip R, MCR10 33 kΩ |
| R19 | RK0008 | Chip R, MCR10 33 Ω |
| R20 | RK0107 | Chip R, MCR10 0 Ω |
| R26 | RK0076 | Chip R, MCR10 330 kΩ |

| Ref. No. | Part Code | Part Name and Number | Ref. No. | Part Code | Part Name and Number | Ref. No. | Part Code | Part Name and Number |
|-----------------------|-----------|---|----------|-----------|---------------------------------|------------------------------------|-----------|-----------------------------|
| C1 | CU8001 | Chip C, C2012B1H 0.001 µF | D7 | XD0106 | Diode, UM9401 | CTCSS (EJ-5U) Unit (T Only) | | |
| C2 | CU0030 | Chip C, C2012CH1H 62 pF | D8 | XD0014 | Diode, Mi308 | | | |
| C3 | CU0034 | Chip C, C2012CH1H 91 pF | D9 | XD0102 | Diode, 1SS101 | CN1 | UE0097 | Pin Header SB3P-HVQ-CA |
| C4 | CU8001 | Chip C, C2012B1H 0.001 µF | D10 | XD0102 | Diode, 1SS101 | CN2 | UE0077 | Pin Header SB7P-HVQ-CA |
| C5 | CU8001 | Chip C, C2012B1H 0.001 µF | R23 | RK0107 | Chip R, MCR10 0Ω | CN3 | UE0045 | Post with Base PI22A11M |
| C6 | CU0018 | Chip C, C2012CH1H 20 pF | R24 | RK0107 | Chip R, MCR10 0Ω | IC1 | XA0020 | IC MN6520 |
| C7 | CE0044 | Chemical C, MS5 10 µF/16 V | R25 | RD1008 | R, ½ W 150Ω | IC2 | XA0020 | IC MN6520 |
| C8 | CU8001 | Chip C, C2012B1H 0.001 µF | R26 | RK0052 | Chip R, MCR10 10 kΩ | IC3 | XA0019 | IC UPD4094BG-T1 |
| C9 | CU8001 | Chip C, C2012B1H 0.001 µF | R27 | RK0006 | Chip R, MCR10 27Ω | IC4 | XA0019 | IC UPD4094BG-T1 |
| C10 | CU8001 | Chip C, C2012B1H 0.001 µF | L13 | QK0054 | Air Core Coil, 3 Ø 1.5 T | X1 | XB0002 | FAR-C4CA-04194000K01 |
| C11 | CU8001 | Chip C, C2012B1H 0.001 µF | L14 | QK0061 | Air Core Coil, 0.5-3 Ø-9.5 T-L | Q1 | XT0031 | Transistor, 2SC2712Y |
| C12 | CU8001 | Chip C, C2012B1H 0.001 µF | L15 | QK0068 | Air Core Coil, 0.8-3 Ø-2.5 T-RS | Q2 | XT0031 | Transistor, 2SC2712Y |
| C13 | CE0044 | Chemical C, MS5 10 µF/16 V | L16 | QK0063 | Air Core Coil, 0.5-3 Ø-3.5 T-R | Q3 | XU0012 | Digital Transistor DTC114EK |
| C14 | CE0044 | Chemical C, MS5 10 µF/16 V | L17 | QK0054 | Air Core Coil, 3 Ø 1.5 T | VR1 | RH0058 | CVR-42A203AW1D |
| C16 | CC5002 | Ceramic C, 10 pF 500 V SL | L18 | QK0065 | Air Core Coil, 0.8-4 Ø-1.25 T-R | R1 | RK0086 | Chip R, MCR10 1 MΩ |
| C17 | CU8001 | Chip C, C2012B1H 0.001 µF | L19 | QC0013 | Choke Coil, LAL021ROM | R2 | RK0039 | Chip R, MCR10 2.2 kΩ |
| C18 | CU8001 | Chip C, C2012B1H 0.001 µF | C43 | CU8001 | Chip C, C2012B1H 0.001 µF | R3 | RK0044 | Chip R, MCR10 3.9 kΩ |
| C19 | CC5016 | Ceramic C, HM60SJSJL080J | C44 | CU0051 | Chip C, C2012CH1H 470 pF | R4 | RK0044 | Chip R, MCR10 3.9 kΩ |
| C20 | CC5025 | Ceramic C, HM60SJB102K | C45 | CE0044 | Chemical C, MS5 10 µF/16 V | R5 | RK0039 | Chip R, MCR10 2.2 kΩ |
| C21 | CC5019 | Ceramic C, HM60SJSJL150J | C46 | CU0051 | Chip C, C2012CH1H 470 pF | R6 | RK0086 | Chip R, MCR10 1 MΩ |
| C22 | CU0017 | Chip C, C2012CH1H 18 pF | C47 | CU0051 | Chip C, C2012CH1H 470 pF | R8 | RK0045 | Chip R, MCR10 4.7 kΩ |
| C23 | CC5021 | Ceramic C, HM60SJSJL220J | C48 | CE0044 | Chemical C, MS5 10 µF/16 V | R10 | RK0071 | Chip R, MCR10 150 kΩ |
| C24 | CC5021 | Ceramic C, HM60SJSJL220J | C49 | CU7013 | Chip Mica, UC232H0050C | R11 | RK0039 | Chip R, MCR10 2.2 kΩ |
| C25 | CU0001 | Chip C, C2012CH1H 0.5 pF | C50 | CC5013 | Ceramic C, HM60SJSJL020C | R12 | RK0053 | Chip R, MCR10 12 kΩ |
| C26 | CC5022 | Ceramic C, HM60SJSJL270J | C51 | CU0005 | Chip C, C2012CH1H 4 pF | R13 | RK0055 | Chip R, MCR10 18 kΩ |
| C27 | CU0002 | Chip C, C2012CH1H 1 pF | C52 | CU0001 | Chip C, C2012CH1H 0.5 pF | R14 | RK0052 | Chip R, MCR10 10 kΩ |
| C28 | CU8001 | Chip C, C2012B1H 0.001 µF | C53 | CC5007 | Ceramic C, HM60SJSJL050C | R15 | RK0052 | Chip R, MCR10 10 kΩ |
| C29 | CC5020 | Ceramic C, HM60SJSJL180J | C54 | CU0001 | Chip C, C2012CH1H 0.5 pF | R18 | RK0071 | Chip R, MCR10 150 kΩ |
| C30 | CU8001 | Chip C, C2012B1H 0.001 µF | C55 | CU7021 | Chip Mica, UC232H0160J | R19 | RK0039 | Chip R, MCR10 2.2 kΩ |
| C31 | CU8001 | Chip C, C2012B1H 0.001 µF | C56 | CU0013 | Chip C, C2012CH1H 12 pF | R20 | RK0053 | Chip R, MCR10 12 kΩ |
| C33 | CU8001 | Chip C, C2012B1H 0.001 µF | C57 | CU7019 | Chip Mica, UC232H0220F | R21 | RK0055 | Chip R, MCR10 18 kΩ |
| C34 | CU8001 | Chip C, C2012B1H 0.001 µF | C58 | CC5007 | Ceramic C, HM60SJSJL050C | R22 | RK0052 | Chip R, MCR10 10 kΩ |
| C35 | CU8024 | Chip C, C2012B1H 0.0047 µF | C59 | CU7021 | Chip Mica, UC232H0160J | R23 | RK0052 | Chip R, MCR10 10 kΩ |
| C36 | CU8001 | Chip C, C2012B1H 0.001 µF | C60 | CC5007 | Ceramic C, HM60SJSJL050C | R24 | RK0067 | Chip R, MCR10 82 kΩ |
| C37 | CU8024 | Chip C, C2012B1H 0.0047 µF | C62 | CC5014 | Ceramic C, HM60SJSJL040C | R25 | RK0067 | Chip R, MCR10 82 kΩ |
| C38 | CU8001 | Chip C, C2012B1H 0.001 µF | C63 | CU0051 | Chip C, C2012CH1H 470 pF | C1 | CU8003 | Chip C, C2012JF1E104Z |
| C39 | CU8001 | Chip C, C2012B1H 0.001 µF | C64 | CU0051 | Chip C, C2012CH1H 470 pF | C2 | CU8007 | Chip C, C2012JF1H473Z |
| C40 | CU8001 | Chip C, C2012B1H 0.001 µF | C66 | CU0051 | Chip C, C2012CH1H 470 pF | C3 | CU8003 | Chip C, C2012JF1E104Z |
| C41 | CU8001 | Chip C, C2012B1H 0.001 µF | C68 | CU0051 | Chip C, C2012CH1H 470 pF | C4 | CU8007 | Chip C, C2012JF1H473Z |
| C42 | CU8001 | Chip C, C2012B1H 0.001 µF | C69 | CU8001 | Chip C, C2012B1H 0.001 µF | C5 | CE0116 | Chemical C, MS7 6.3 V/47 µF |
| L1 | QC0059 | Chip L, NL322522T-022M | C70 | CU8001 | Chip C, C2012B1H 0.001 µF | C6 | CU0005 | Chip C, C2012CH1H 4 pF |
| L2 | QC0055 | Chip L, NL322522T-010M | C71 | CU0051 | Chip C, C2012CH1H 470 pF | C7 | CU8003 | Chip C, C2012JF1E104Z |
| L3 | QK0031 | Air Core Coil, 3 Ø-6 T | C72 | CU0051 | Chip C, C2012CH1H 470 pF | C8 | CS0059 | Chip Tantal, TMCQJ226TR |
| L4 | QK0062 | Air Core Coil, 0.6-3 Ø-3 T-LS | C73 | CU0051 | Chip C, C2012CH1H 470 pF | C9 | CU8003 | Chip C, C2012JF1E104Z |
| L5 | QK0064 | Air Core Coil, 0.8-4 Ø-1.5 T-L (DR-570E only) | C74 | CU0051 | Chip C, C2012CH1H 470 pF | C10 | CS0059 | Chip Tantal, TMCQJ226TR |
| L5 | QK0054 | Air Core Coil, 0.8-3 Ø-1.5-R (DR-570 T only) | | UE0080 | Penetrating Paper | C11 | CS0055 | Chip Tantal, TMCQJ106TR |
| L6 | QK0044 | Air Core Coil, 3 Ø-9.5 T | | | | C12 | CS0055 | Chip Tantal, TMCQJ106TR |
| L7 | QK0067 | Air Core Coil, 0.6-3 Ø-7 T-R | | | | C13 | CU8002 | Chip C, C2012B1H103K |
| L8 | QK0058 | Air Core Coil, 0.8-3 Ø-6 T-RS | | | | | | |
| L9 | QK0044 | Air Core Coil, 3 Ø-9.5 T (DR-570 E only) | | | | | | |
| L9 | QK0067 | Air Core Coil, 0.6-3 Ø-7 T-R (DR-570T only) | | | | | | |
| L10 | QK0060 | Air Core Coil, 0.8-3 Ø-5 T-RS | | | | | | |
| L11 | QK0077 | Air Core Coil, 0.8-3 Ø-3 T-RS (DR-570 E only) | | | | | | |
| L11 | QK0054 | Air Core Coil, 0.8-3 Ø-1.5-R (DR-570 T only) | | | | | | |
| L12 | QC0013 | Choke Coil, LAL02-1ROM | | | | | | |
| VR1 | RH0038 | VR, CVR-42A-473AW1D | | | | | | |
| VR2 | RH0051 | VR, CVR-42A-472AW1D | | | | | | |
| VR3 | RH0038 | VR, CVR-42A-473AW1D | | | | | | |
| VR4 | RH0056 | VR, CVR-42A-333AW1D | | | | | | |
| JK1 | UJ0013 | Earphone Jack, JSJ140301010 | | | | | | |
| TH1 | XS0006 | Thermistor, TD5-C350DA | | | | | | |
| UHF Final Unit | | | | | | | | |
| IC4 | XA0077 | Module, M57788M | | | | | | |
| Q5 | XT0064 | Transistor, 2SD1761E | | | | | | |

■ DISASSEMBLING PROCEDURE

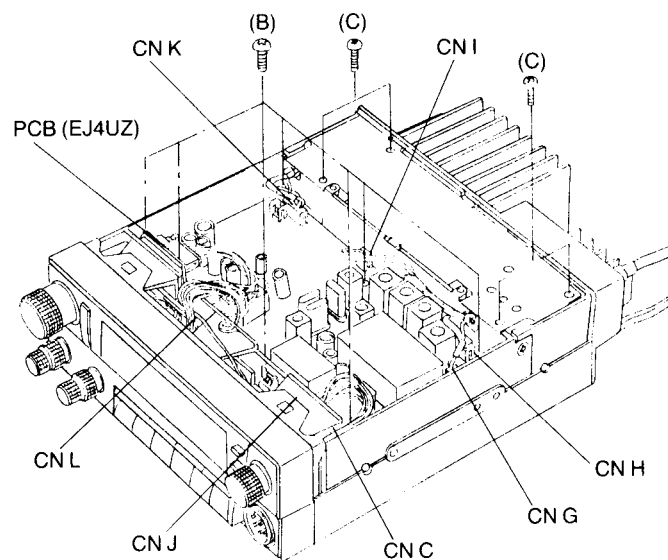
Removing Upper Case

- (1) Remove 7 screws (A).
- (2) Unplug connector (CN SP).



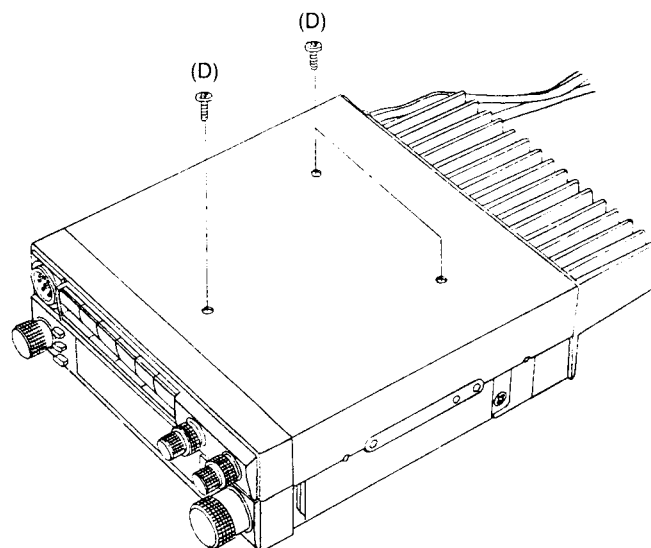
Removing VHF (144 M) Main PCB

- (1) Remove 7 screws (B).
- (2) Unplug 7 connectors (CN C, CN G, CN H, CN I, CN J, CN K, CN L), and remove PCB (EJ4UZ).
- (3) Remove 4 screws (C) on shield plate.



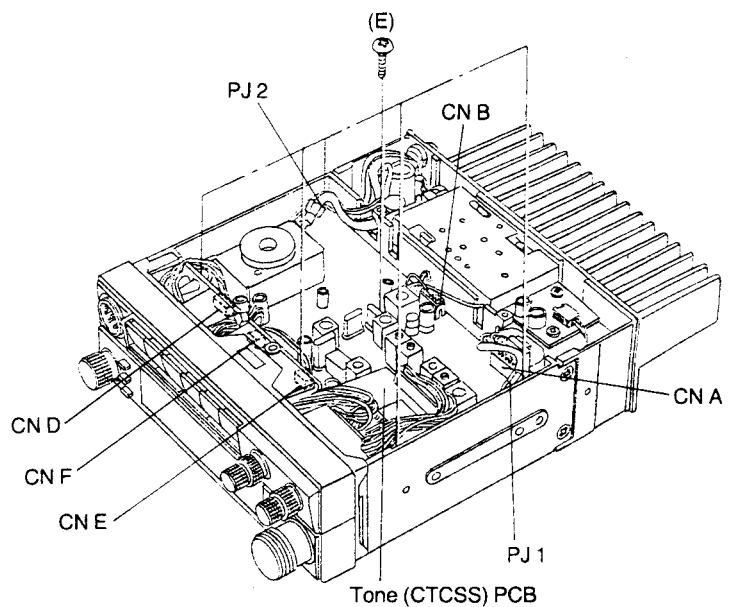
Removing Lower Case

- (1) Turn over Unit, and remove 3 screws (D) beneath Lower Case.



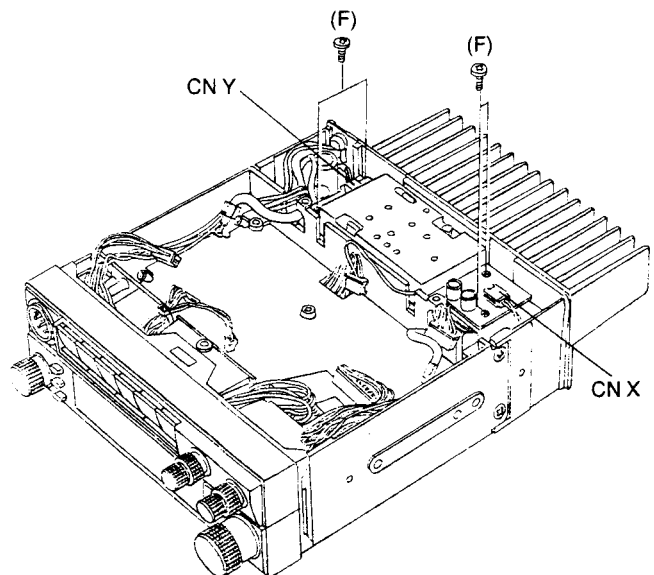
Removing UHF (430 M) Main PCB

- (1) Remove 6 screws (E).
- (2) Unplug 5 connectors (CN A, CN B, CN D, CN E, CN F) and 2 pins (PJ1, PJ2), and remove Tone (CTCSS) PCB.



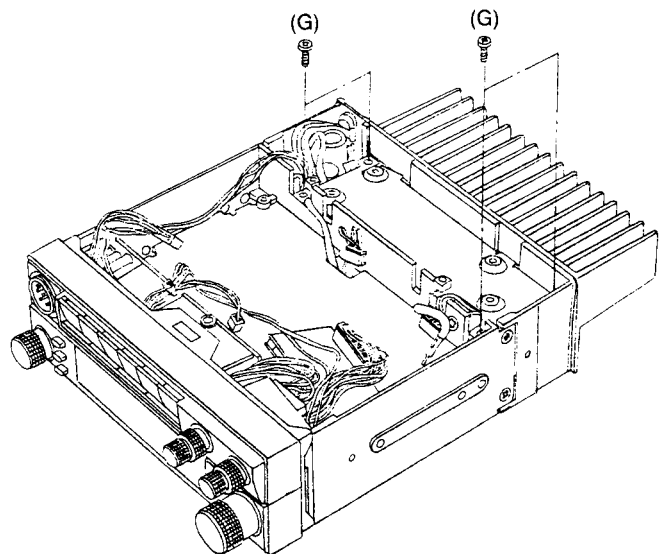
Removing Crystal Converter PCB

- (1) Remove 4 screws (F).
- (2) Unplug 2 connectors (CN X, CN Y).



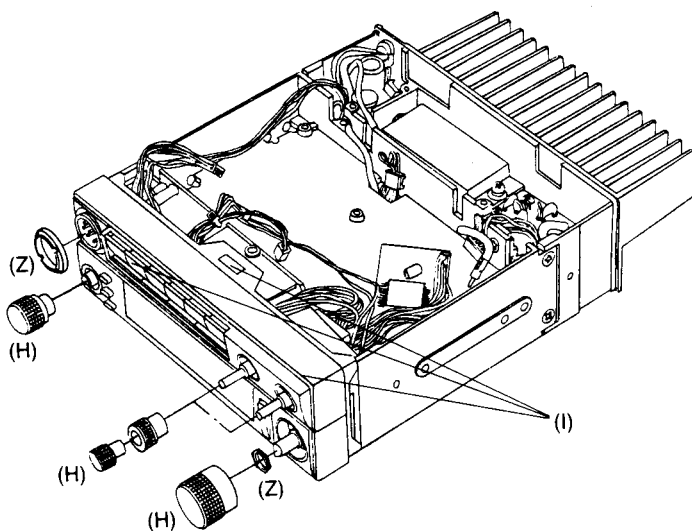
Removing Shield Plate beneath Crystal Converter PCB

- (1) Remove 4 screws (G).



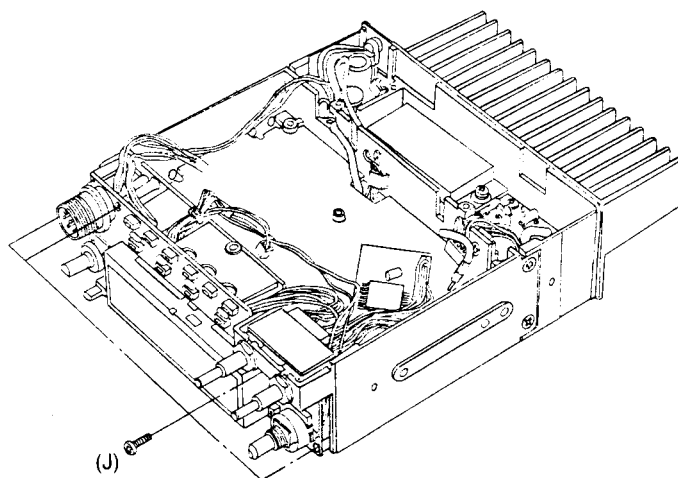
Removing Front Panel

- (1) Remove 4 knobs (H).
- (2) Release 3 hooks (I).
- (3) Remove 2 nuts (Z).



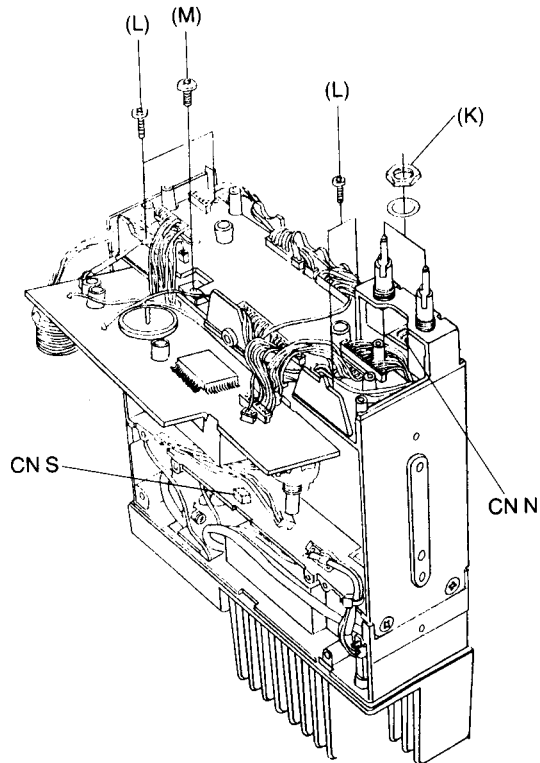
Removing CPU PCB

- (1) Remove 4 screws (J).



Removing VOL PCB

- (1) Place Unit upright, and remove 2 nuts (K).
- (2) Disconnect connector (CN N).

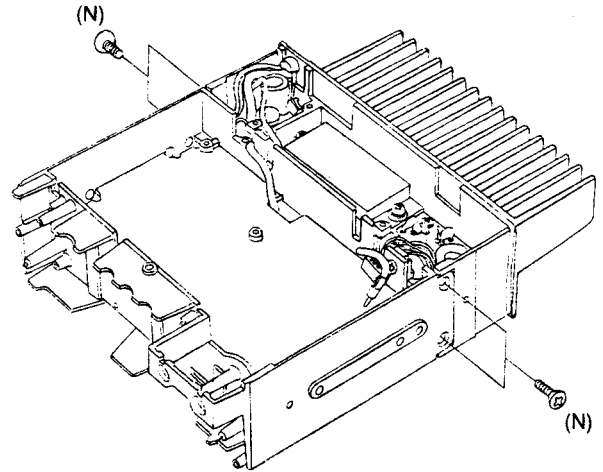


Removing Control PCB

- (1) Remove 4 screws (L) and one screw (M).
- (2) Unplug connector (CN S) on Power Supply PCB at the bottom.

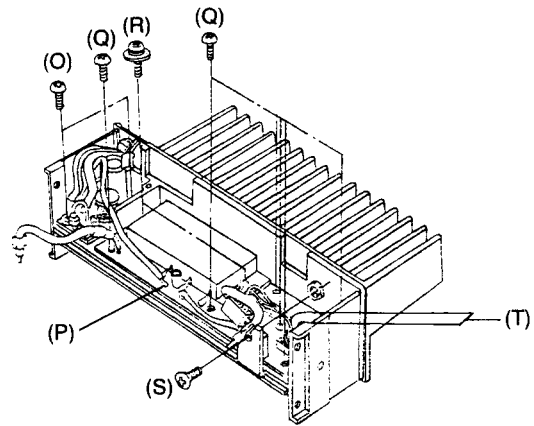
Removing Rear Assembly

- (1) Remove 4 screws (N).



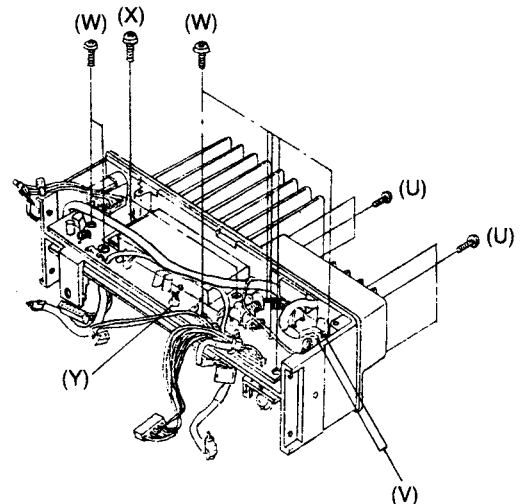
Removing Power Supply PCB

- (1) Turn over assembly, and remove 2 screws (O).
- (2) Disconnect soldered portion (P).
- (3) Remove 6 screws (Q), 2 screws (R), 1 screw (S), and Disconnect 2 soldered portions (T).



Removing Duplexer PCB

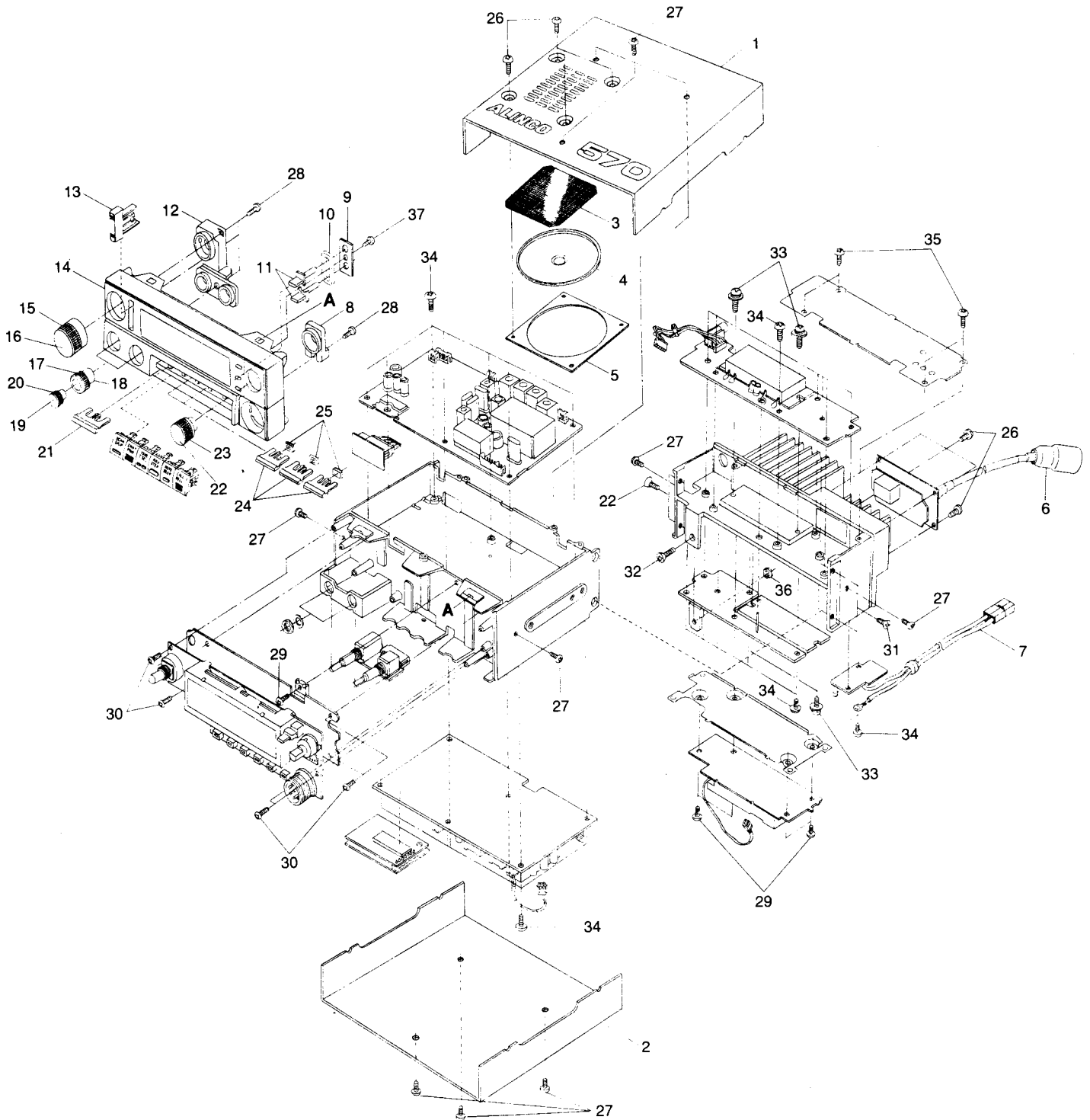
- (1) Turn over Unit, and remove 6 screws (U).
- (2) Disconnect 2 soldered portions (V).



Removing VHF Final and UHF Final PCBs

- (1) Remove 7 screws (W), 2 screws (X), and Disconnect soldered portion (Y).

■ CABINET PARTS LOCATION



| Ref. No. | Part Code | Part Name and Number |
|-------------------------|-----------|---------------------------|
| Mechanical Parts | | |
| 1 | KU0061 | Upper Case |
| 2 | KS0033 | Lower Case |
| 3 | FF0013 | SP Sheet |
| 4 | ES0001 | Speaker 57S38-1 |
| 5 | ST0009 | SP Metal Crasp |
| 6 | UE0082 | Coaxial Cable |
| 7 | UA0002 | DC Power Cable |
| 8 | DG0009 | Encoder light (S) 32G0009 |
| 9 | FM0030 | TS Plate 37M0030 |
| 10 | FG0043 | Tact Knob Sponge 37G0043 |
| 11 | NB0023 | Tact Switch Knob 33B0023 |
| 12 | DG0008 | Encoder light (L) 32G0008 |

| Ref. No. | Part Code | Part Name and Number |
|----------|-----------|---------------------------|
| 13 | NB0024 | UD Knob 33B0024 |
| 14 | KM0059A | Front Panel |
| 15 | ND0009 | Dial Rubber (L) |
| 16 | NK0011 | Dial Knob (L) |
| 17 | ND0012 | Squelch Rubber |
| 18 | NW0003 | Squelch Knob |
| 19 | NK0013 | Volume Knob |
| 20 | ND0011 | Volume Rubber |
| 21 | NB0025 | Light Knob (L) 33B0025 |
| 22 | NK0012 | Dial Knob (S) |
| 23 | ND0010 | Dial Rubber (S) |
| 24 | NB0026 | Light Knob (S) 33B0026 |
| 25 | FG0042 | Light Knob Sponge 37G0042 |

| Ref. No. | Part Code | Part Name and Number |
|---------------|-----------|----------------------|
| Screws | | |
| 26 | AA0003 | M2.6×5 |
| 27 | AA0008 | M2.6×6 |
| 28 | AP0006 | M2×6 |
| 29 | AA0030 | M2.6×5 |
| 30 | AA0027 | M2×4 |
| 31 | AA0022 | M3×6 |
| 32 | AA0029 | M3×10 |
| 33 | AD0001 | M3×8 |
| 34 | AJ0015 | 2.6×6 (tap) |
| 35 | AF0011 | M2.6×4 |
| 36 | AN0010 | Nut M3-1 |
| 37 | AF0012 | M2×4 |

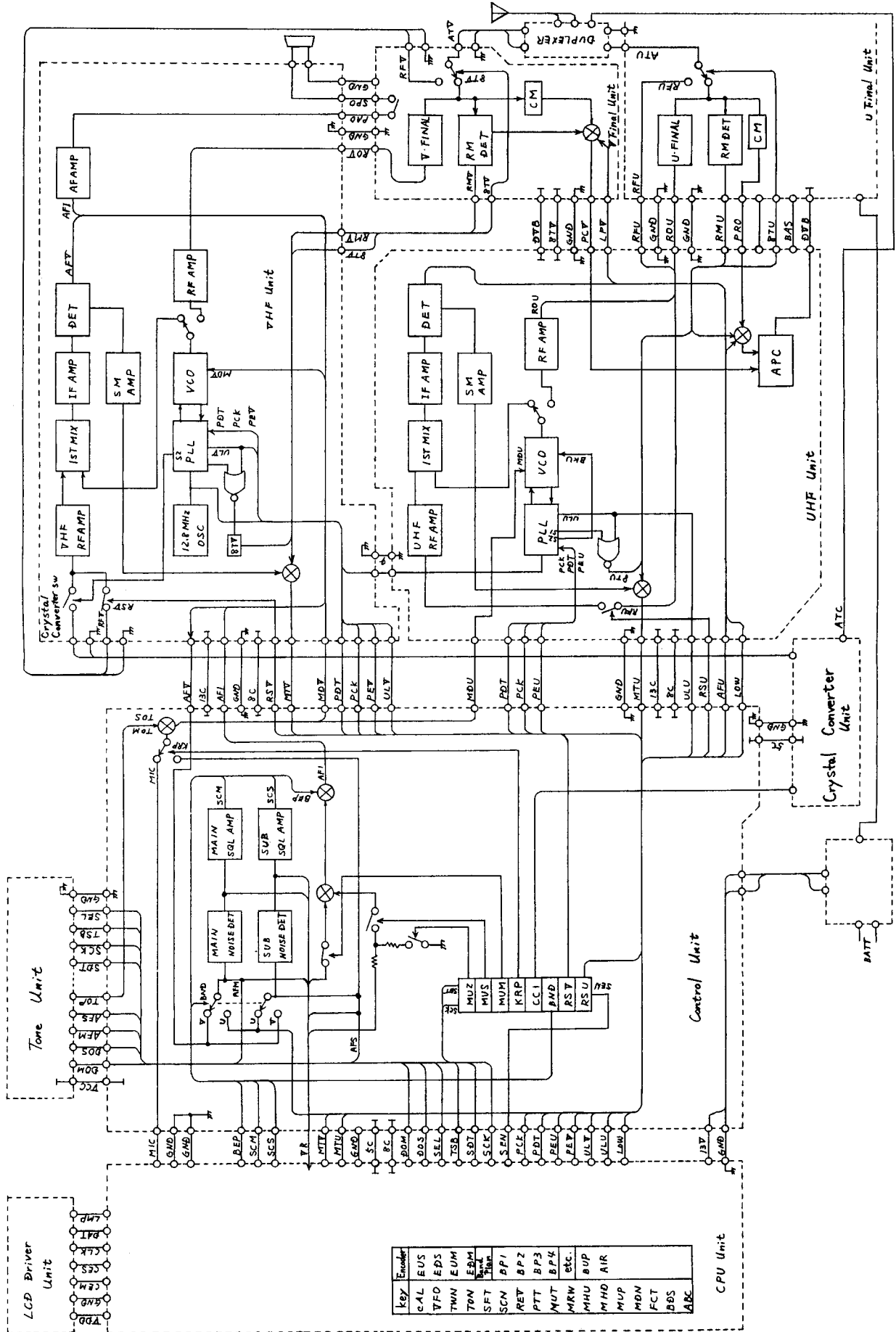
■ ADJUSTMENT (VHF)

| Item | Adjustment point(s) | Adjustment method |
|-------------------------------------|--|--|
| VCO Voltage | <input type="checkbox"/> TC1 TC2 (VCO BOX) | At 445.000 MHz (T) or 435.000 MHz (E), adjust TC1 so that the voltage of TP3 on <input type="checkbox"/> substrate is 1.8 V. |
| | | At 445.000 MHz (T) or 435.000 MHz (E), pressing the PTT button, adjust TC2 so that the voltage of TP3 on <input type="checkbox"/> substrate is 3.8 V. |
| | <input type="checkbox"/> L4 (VCO BOX) | At 145.000 MHz, adjust TP2 so that the voltage of TP2 on <input type="checkbox"/> substrate is 4.0 V. |
| Basic Frequency | <input type="checkbox"/> TC1 | Pressing PTT button, adjust TC1 so that f-counter indicates 444.950 ±0.1 kHz (T) or 434.950 ±0.1 kHz (E) MHz. |
| TX Power | <input type="checkbox"/> VR2 VR3 | On "LO" position, pressing the PTT button, adjust VR2 and VR3 so that the power is maximum at 145.95 MHz (T) or 144.95 MHz (E). |
| Power Output | <input type="checkbox"/> VR2 (Hi) | On "Hi" position, turn VR2 for 46 W output at 145.95 MHz (T) or 144.95 MHz (E). Verify the lighting of the entire RF meter. |
| | <input type="checkbox"/> VR4 (Lo) | On "Lo" position, turn VR4 for 5 W output at 145.95 MHz (T) or 144.95 MHz (E). |
| RF meter | <input type="checkbox"/> VR1 | On "Lo" position, adjust VR1, so that <input type="checkbox"/> on the RF meter lights up at 145.95 MHz (T) or 144.95 (E). |
| Deviation | <input type="checkbox"/> VR3 | Enter the AF level of OdBm, then pressing the PTT button, adjust VR3 so that you obtain 4.6 kHz/Dev at 145.95 MHz (T) or 1449.95 MHz (E) and AF 1 KHz. |
| Protection Circuit | <input type="checkbox"/> VR3 | Disconnect the antenna, then pressing the PTT button and adjust VR3 so that the current consumption is 4.5 A at 145.95 MHz (T) or 144.95 MHz (E). |
| Subaudible Tone Deviation (DR-570T) | | Pressing the tone button and the PTT button at 145.95 MHz, verify 0.5~1 kHz/Dev at tone frequency of 88.5 Hz. |
| 1750 Hz Tone Deviation (DR-570E) | | Connect Microphone (EHM-34A or 33A), then pressing the tone button, verify that the tone frequency is 1750 Hz and the deviation is 3.5 kHz ±0.5 kHz. |
| Discrimination | <input type="checkbox"/> L7, 8, 9 | At 146.03 MHz (T) or 145.03 (E) and 60 dBμ input, adjust L7, 8, 9, so that the distortion is minimum at 50 m W. |
| Sensitivity | <input type="checkbox"/> L2, 3, 4, 5, 6 | Adjust L2, 3, 4, 5, 6 so that 12 dB SINAD sensitivity is the highest at 146.03 MHz (T) or 145.03 MHz (E). |
| Squelch Sensitivity | <input type="checkbox"/> VR1 | At 146.03 MHz (T) or 145.03 MHz (E), turn the main squelch knob to the minimum and cut SG output, then adjust VR1 so that the noise is maximum. |

■ ADJUSTMENT (UHF)

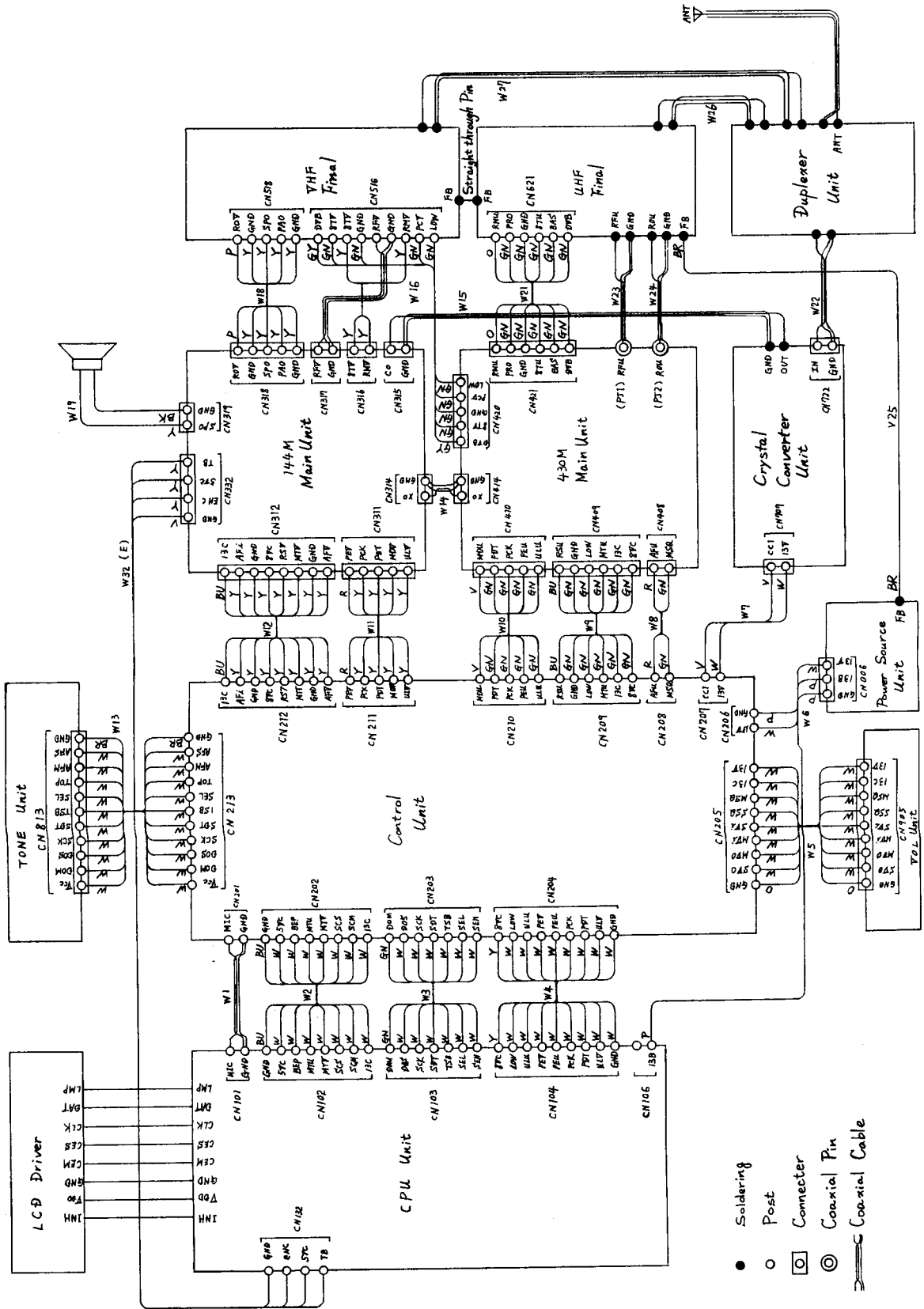
| Item | Adjustment point(s) | Adjustment method |
|-------------------------------------|---|--|
| VCO Voltage | <input type="checkbox"/> TC1 <input type="checkbox"/> TC2 (VCO BOX) | At 445.000 MHz (T) or 435.000 MHz (E), adjust TC1 so that the voltage of TP3 on <input type="checkbox"/> substrate is 1.8 V. |
| | | At 445.000 MHz (T) or 435.000 MHz (E), pressing the PTT button, adjust TC2 so that the voltage of TP3 on <input type="checkbox"/> substrate is 3.8 V. |
| | <input type="checkbox"/> L4 (VCO BOX) | At 145.000 MHz, adjust TP2 so that the voltage of TP2 on <input type="checkbox"/> substrate is 4.0 V. |
| TX Power | <input type="checkbox"/> VR5 | On "Lo" position, pressing the PTT button, adjust VR5 so that the power is maximum at 444.95 MHz (T) or 434.95 MHz (E). |
| Power Output | <input type="checkbox"/> VR5 (Hi) | On "Hi" position, turn VR5 for 35 W output at 444.95 MHz (T) or 36 W output at 434.95 MHz (E). Verify the lighting of the entire RF meter. |
| | <input type="checkbox"/> VR7 (Lo) | On "Lo" position, turn VR7 for 5 W output at 444.95 MHz (T) or 434.95 MHz (E). |
| RF meter | <input type="checkbox"/> VR6 | On "Lo" position, adjust VR1 so that <input type="checkbox"/> on the RF meter lights up at 444.95 MHz (T) or 434.95 MHz (E). |
| Deviation | <input type="checkbox"/> VR3 | Enter the AF level of OdBm, then pressing the PTT button, adjust VR3 so that you obtain 4.6 KHz/Dev at 444.95 MHz (T) or 434.95 MHz (E) and AF 1 kHz. |
| Subaudible Tone Deviation (DR-570T) | | Pressing the tone button and the PTT button at 444.95 MHz, verify 0.5~1 kHz/Dev at tone frequency of 88.5 Hz. |
| 1750 Hz Tone Deviation (DR-570E) | | Connect Microphone (EHM-34A or 33A), then pressing the tone button, verify that the tone frequency is 1750 Hz and the deviation is 3.5 (± 0.1) kHz. |
| Helical Filter | <input type="checkbox"/> TC1, 2 L3, 4 | Connect a tracking generator to the antenna and a spectrum analyser to TP1, then adjust TC1, 2 and L3, 4 so that the sensitivity is at its peak between 440 and 450 MHz at maximum gain. (570 E: 430–440 MHz) |
| Discrimination | <input type="checkbox"/> L9, 11 | At 445.03 MHz (T) or 435.03 MHz (E) and 60 dB μ input, adjust L9, 11 so that the distortion is minimum at 50m W. |
| Sensitivity | <input type="checkbox"/> L8, TC3 | Adjust L8 and TC3 so that 12 dB SINAD sensitivity is the highest at 445.03 MHz (T) or 435.03 MHz (E). |
| Squelch | <input type="checkbox"/> VR1 | 1) At 146.03 MHz (T) or 145.03 MHz (E) of the main band, cut the SG output power and adjust the main squelch knob so that the noise is intermittent. 2) At 445.03 MHz (T) or 435.03 MHz (E) of the main band, cut the SG output power and adjust VR1 so that the noise is intermittent. |
| S-meter | <input type="checkbox"/> VR2 | At 445.03 MHz (T) or 435.03 MHz (E) and -3 dB μ [EMF], adjust VR2 so that <input type="checkbox"/> in the S-meter begins to light. |

■ BLOCK DIAGRAM

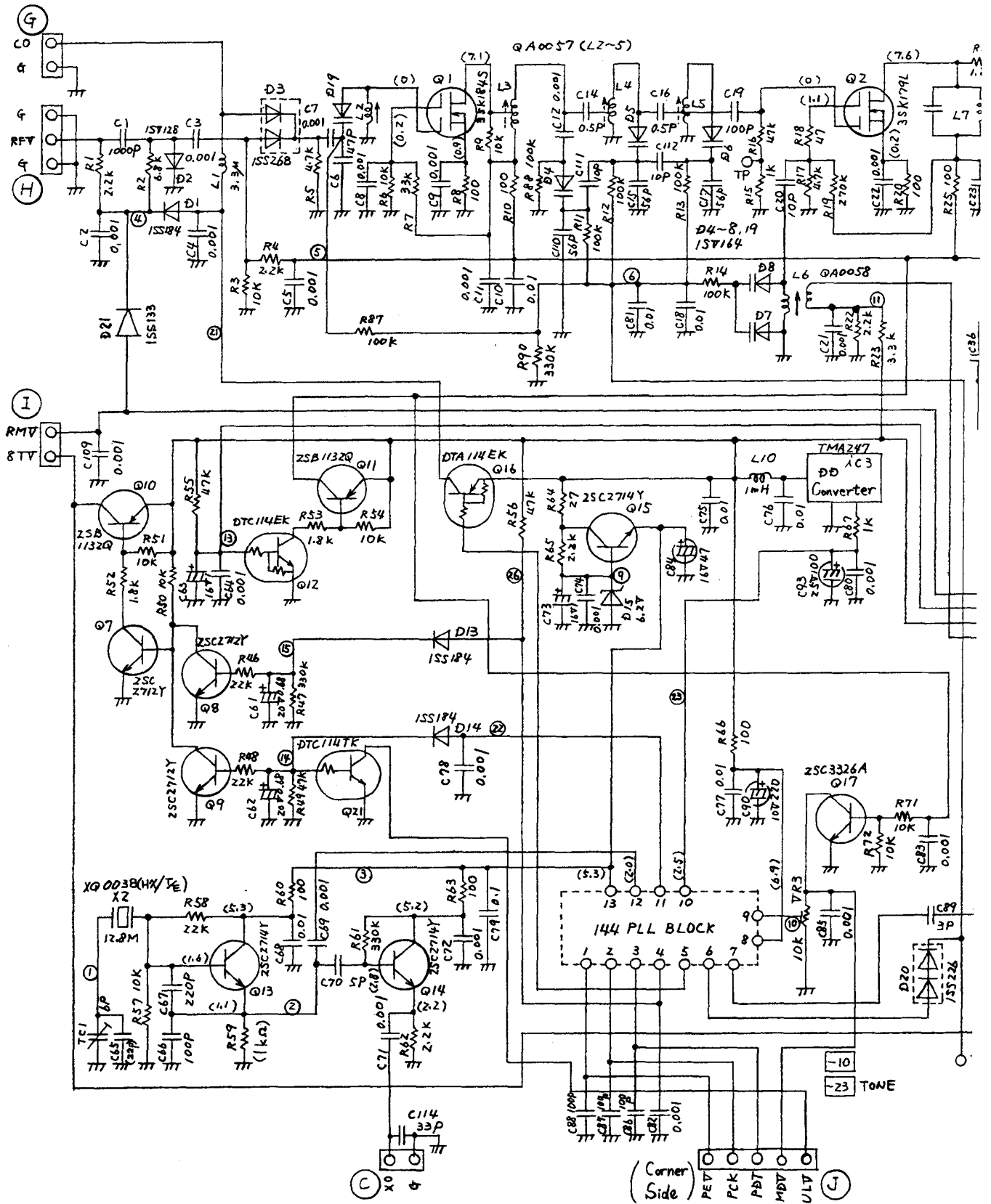


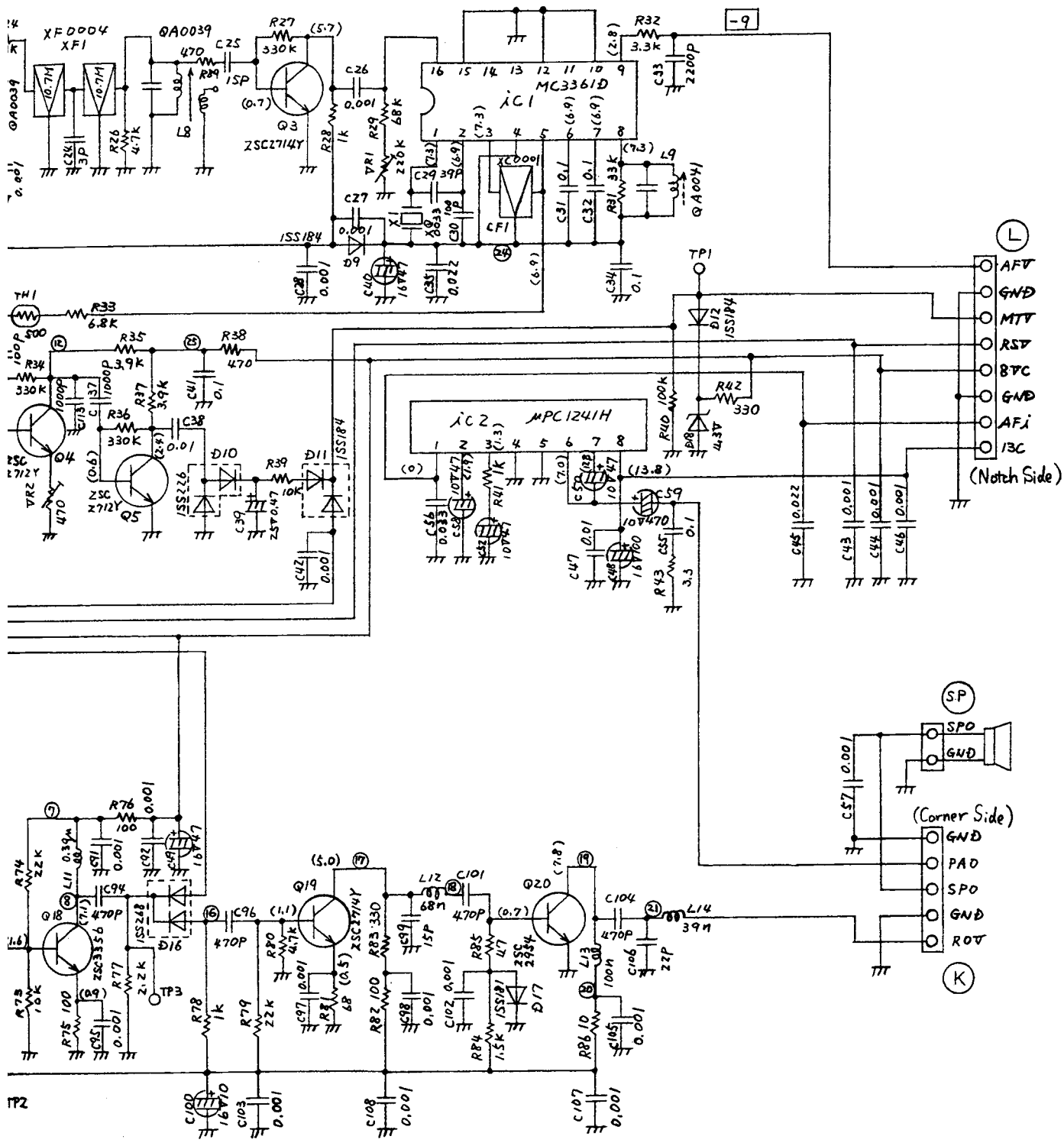
| key | Encoder |
|------|-------------|
| CAL | EUS |
| VFO | EDS |
| TWN | EUH |
| TOW | EDM |
| SFT | Band Filter |
| SCN | BP1 |
| RET | BP2 |
| PTT | BP3 |
| MUT | BP4 |
| MIRN | etc. |
| MHU | BUP |
| MHO | AIR |
| MUP | |
| MBN | FCT |
| BDS | |
| ABC | |

CONNECTION DIAGRAM



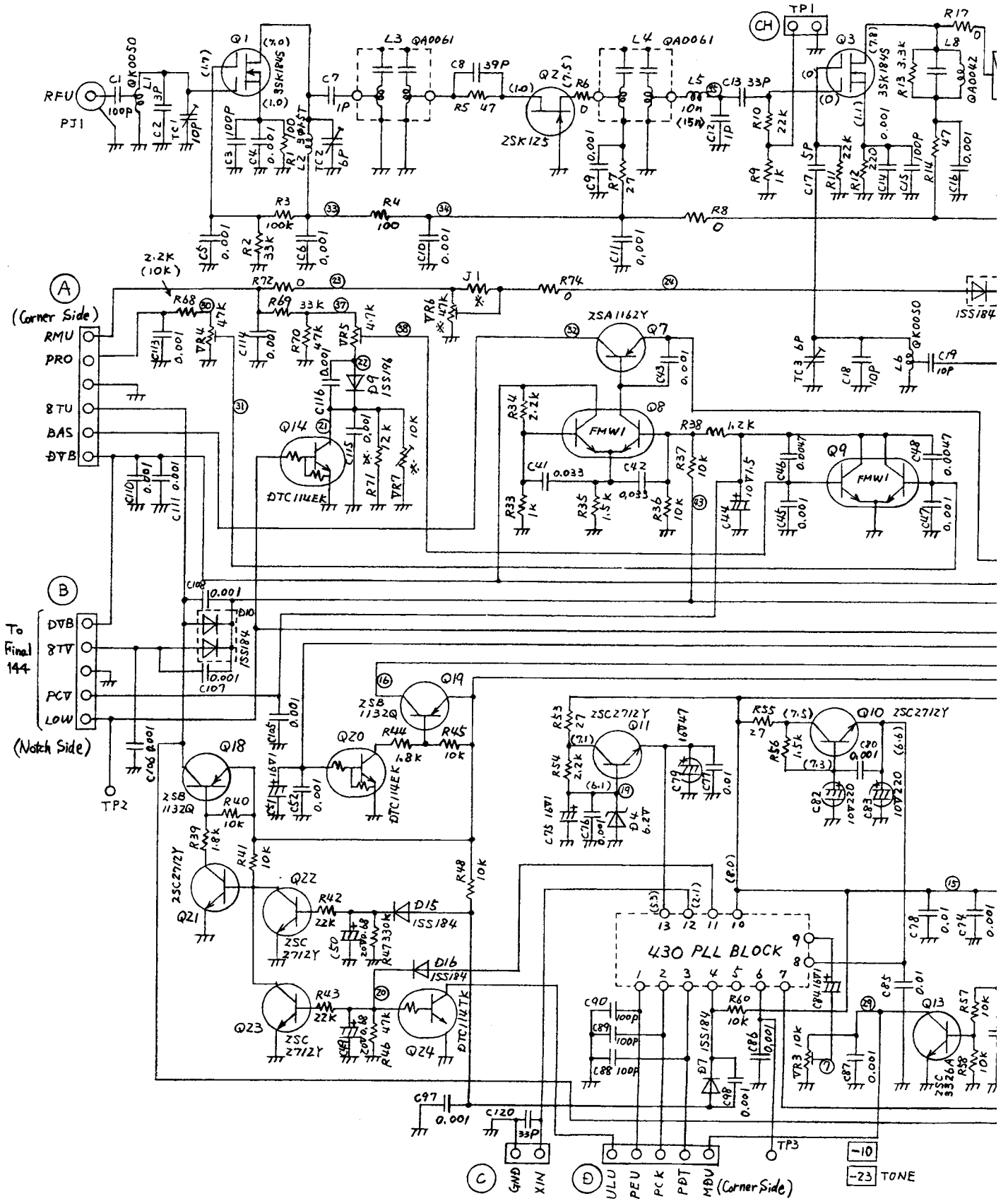
VHF MAIN SCHEMATIC DIAGRAM

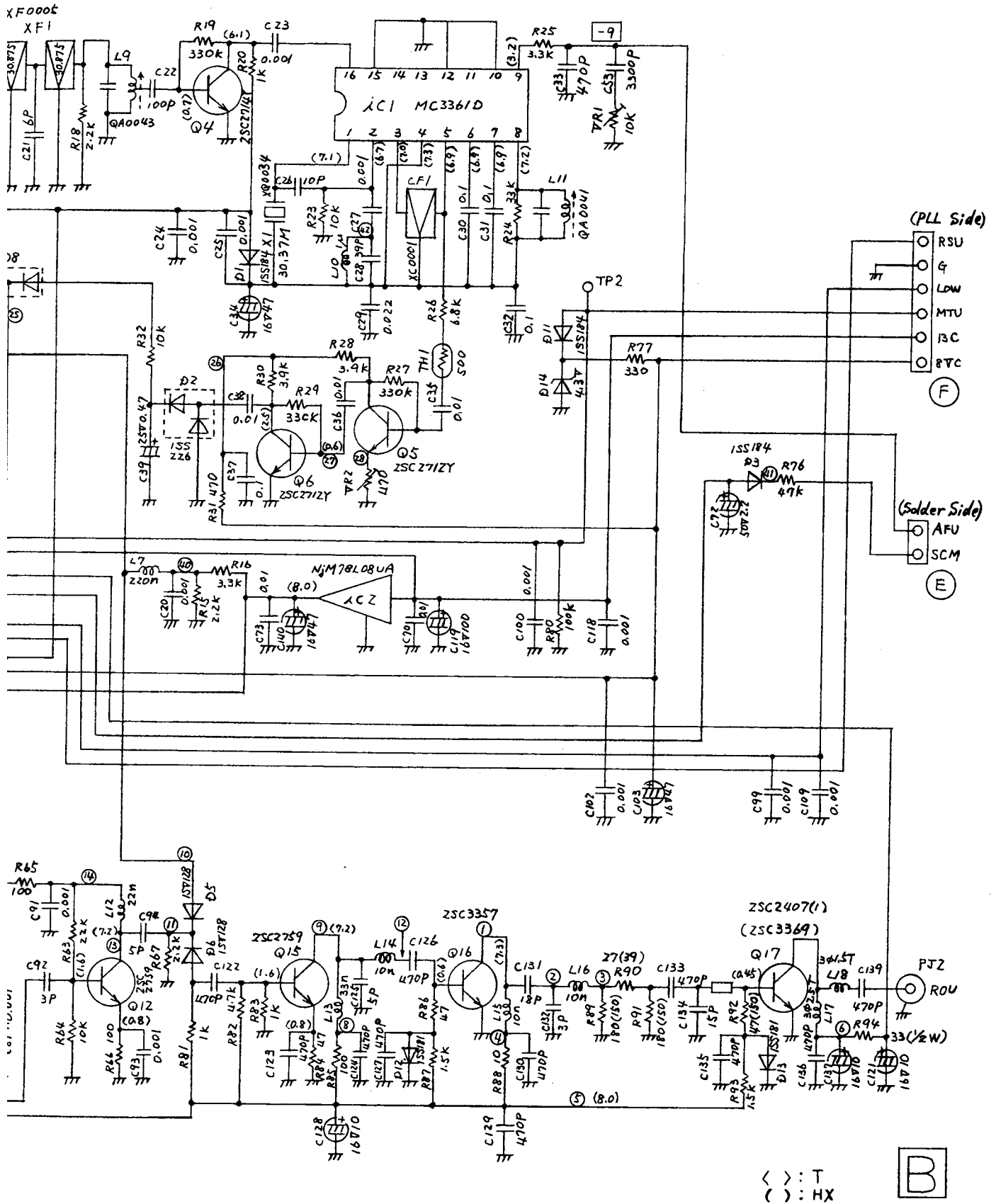




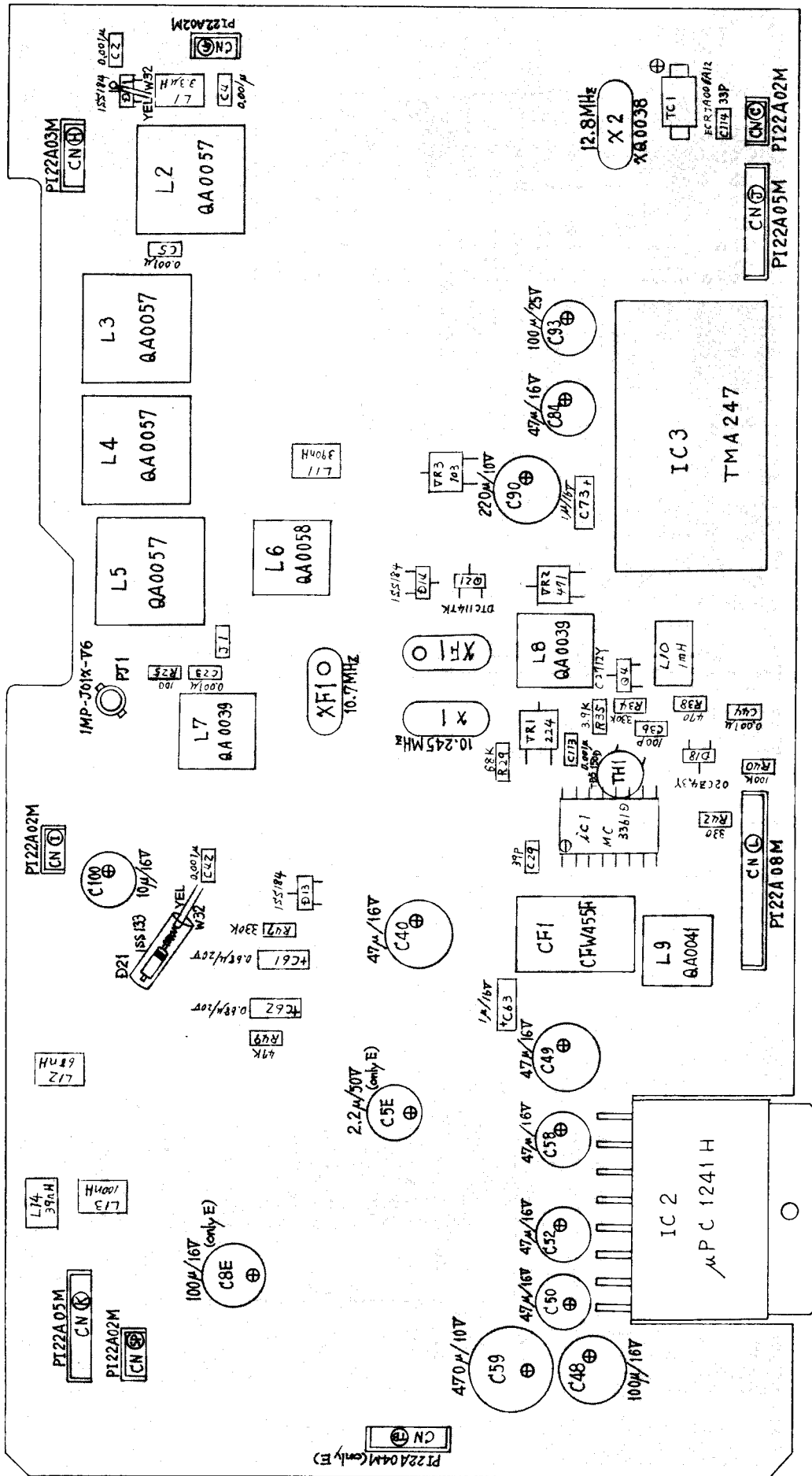
A

UHF MAIN SCHEMATIC DIAGRAM

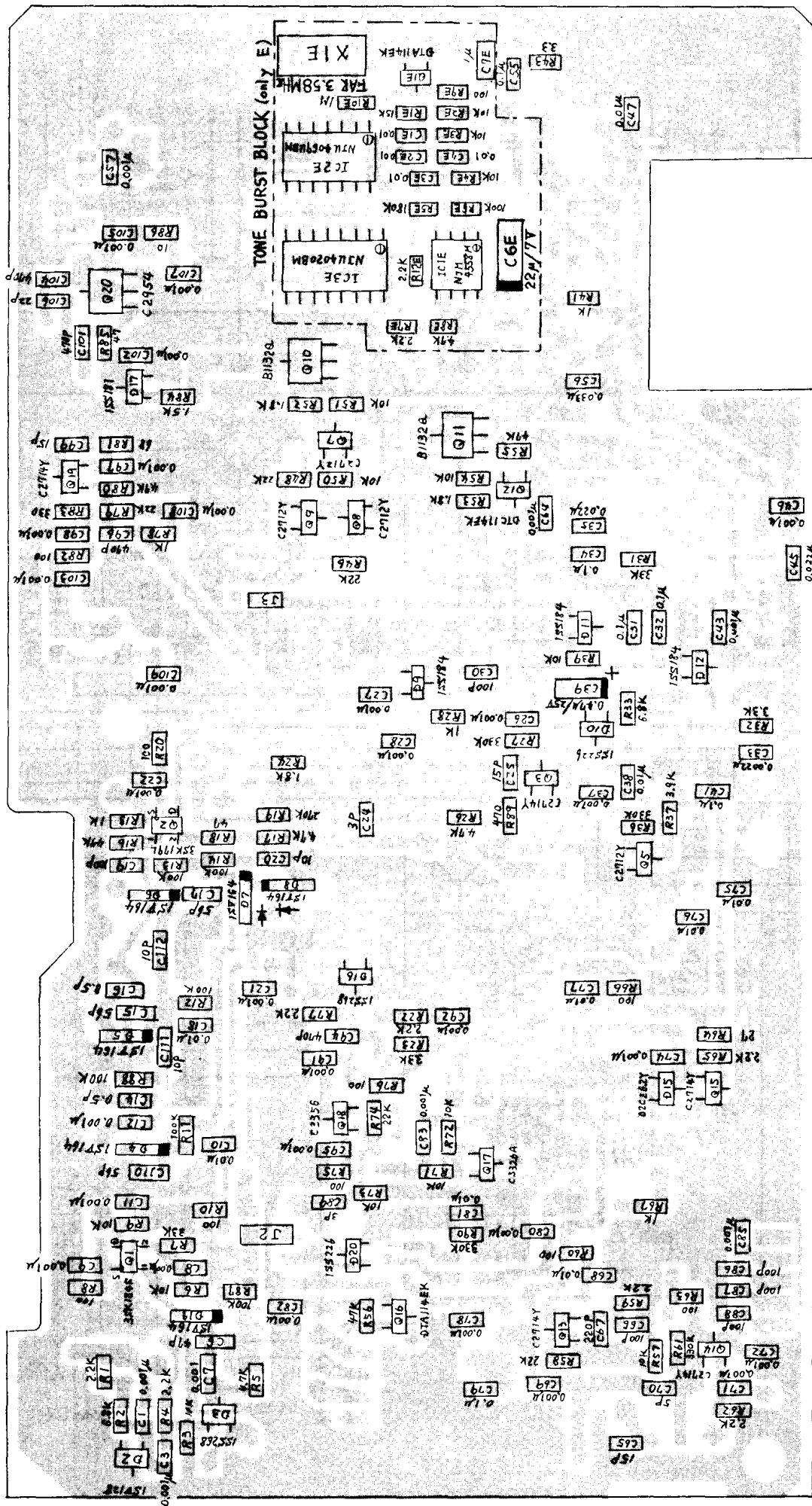




■ VHF MAIN PC BOARD

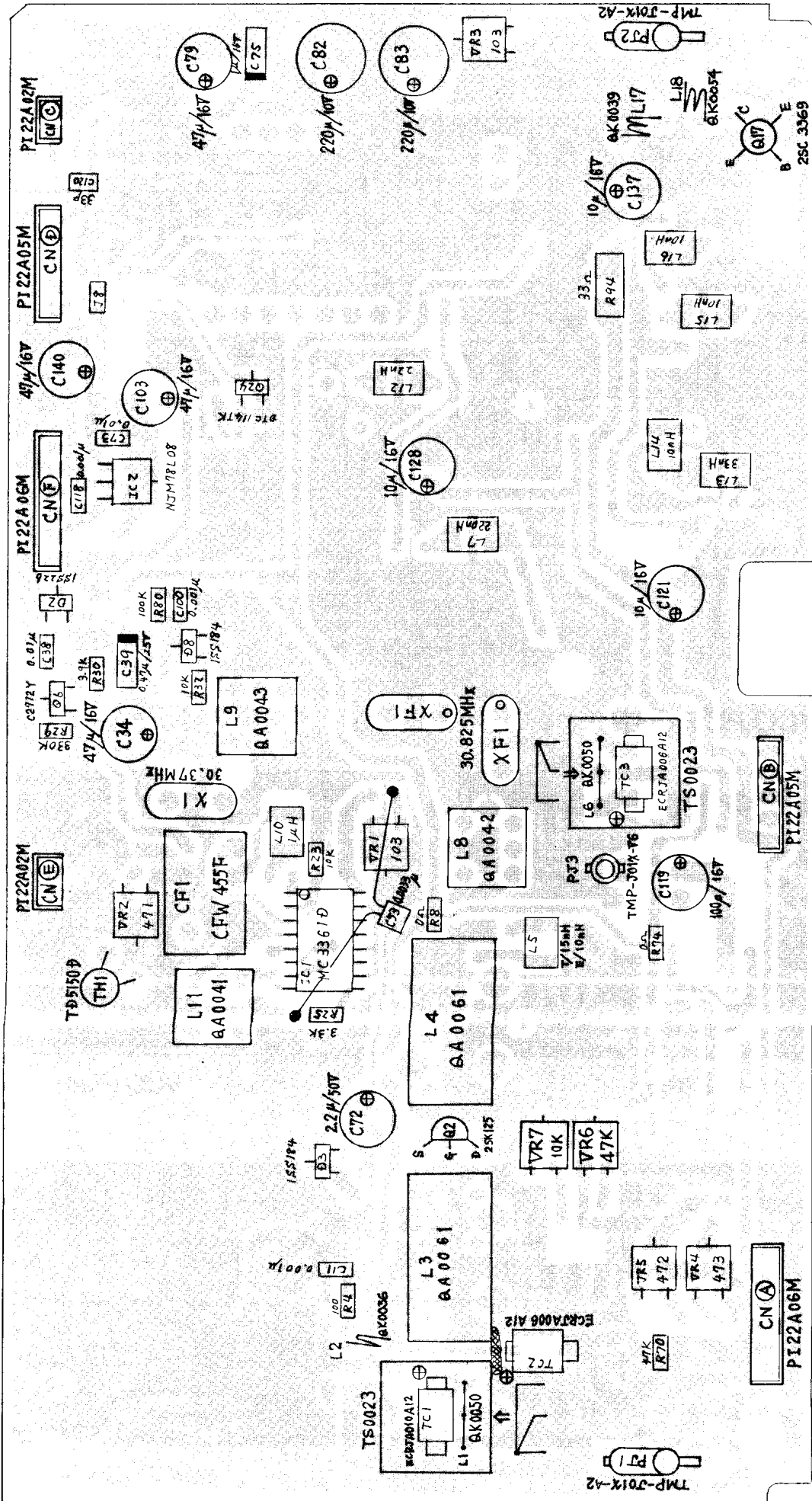


(Part)

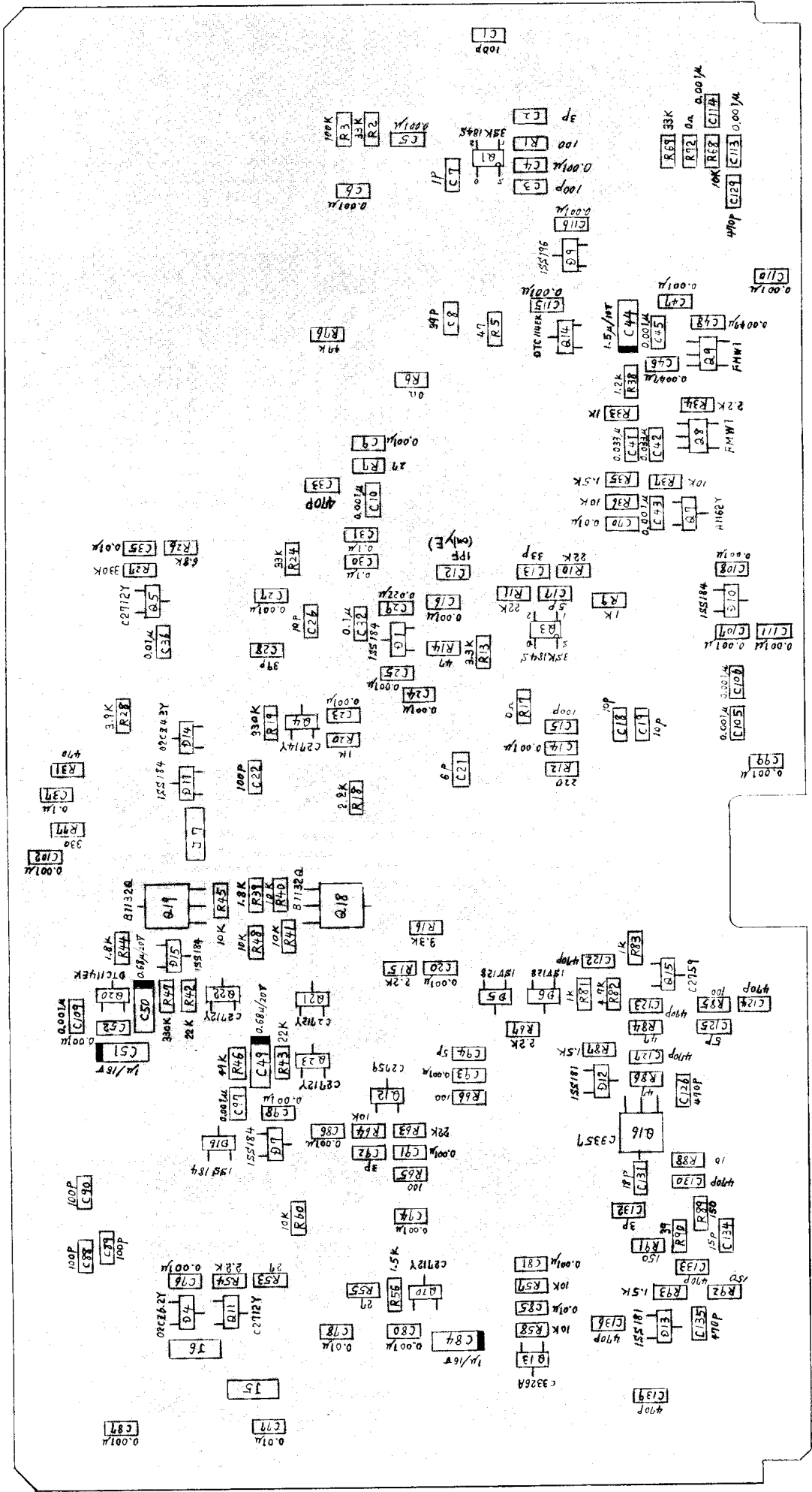


(Solder)

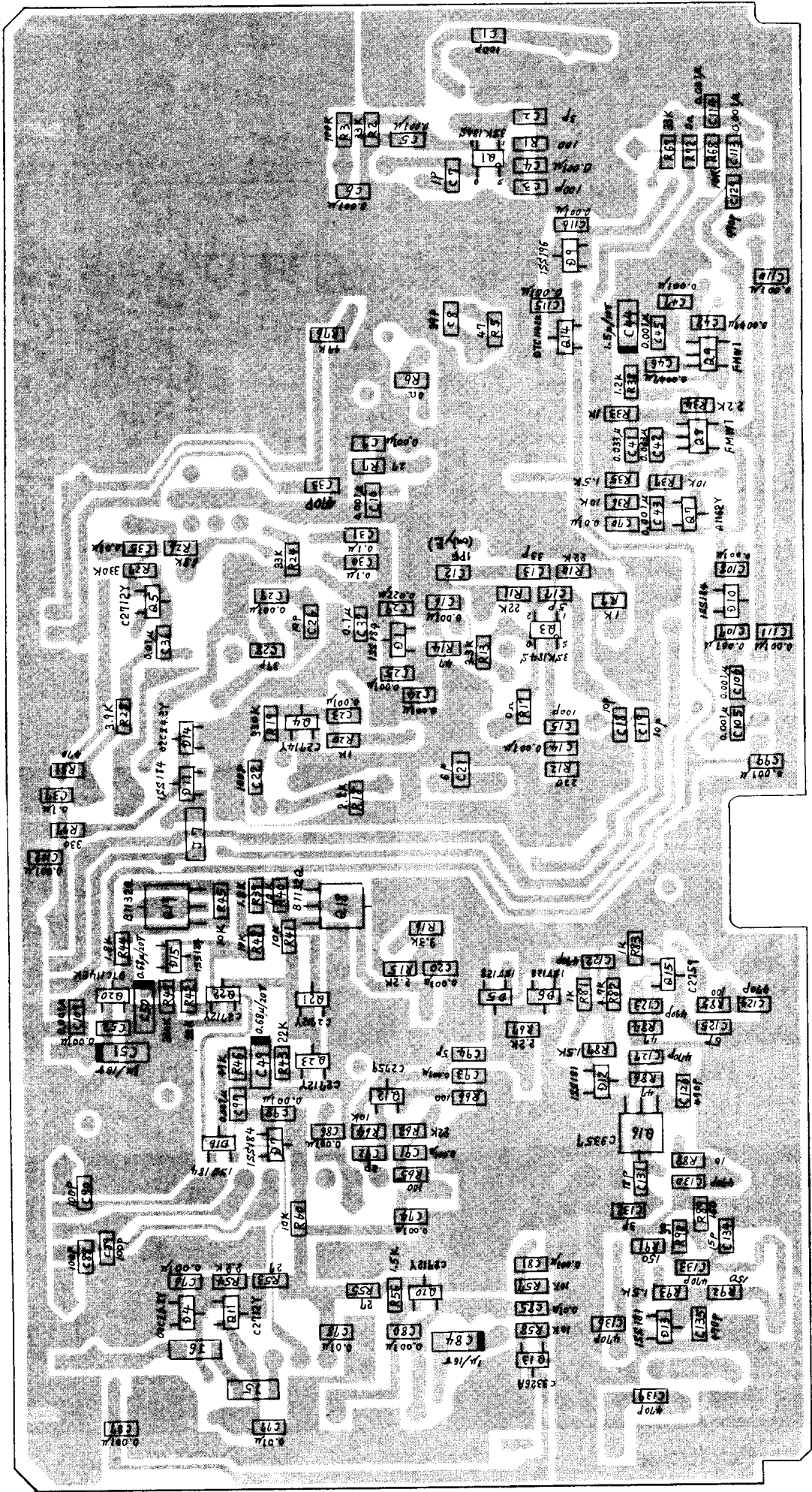
UHF MAIN PC BOARD



(Part)

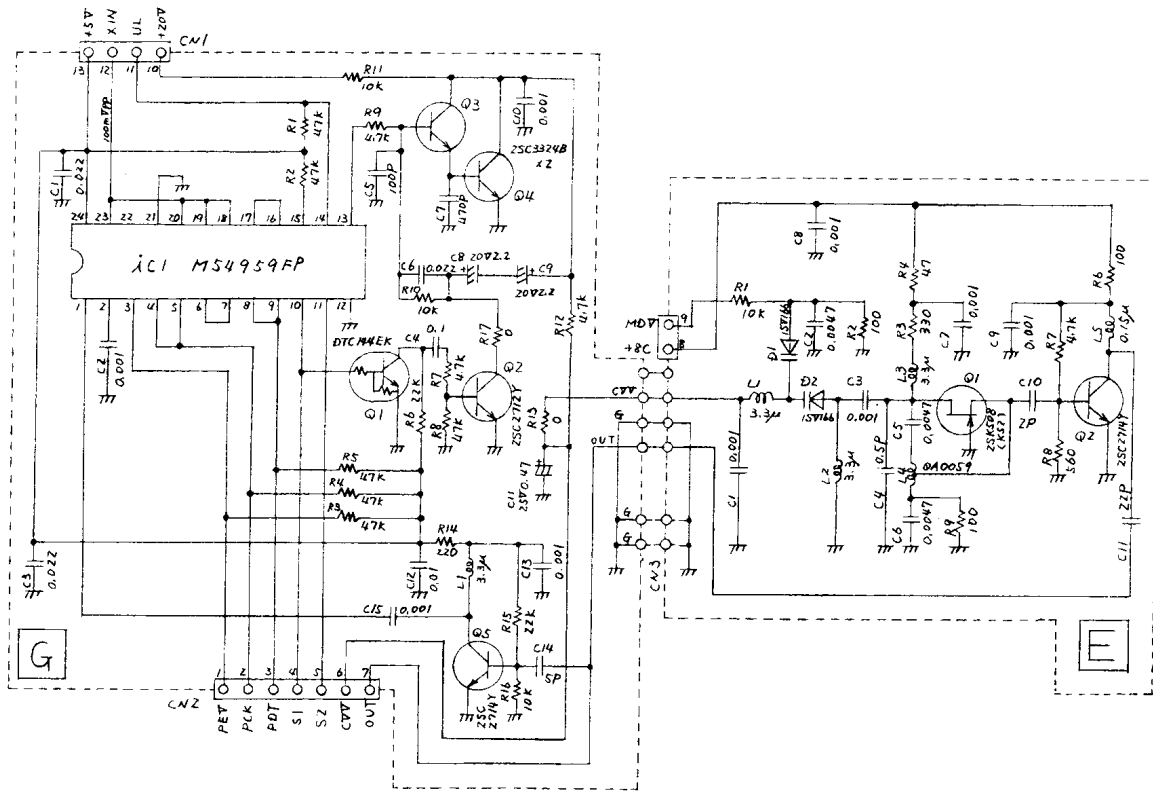


(Solder)

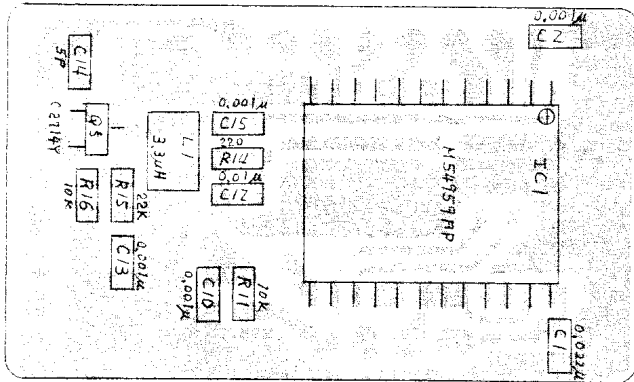


(Solder)

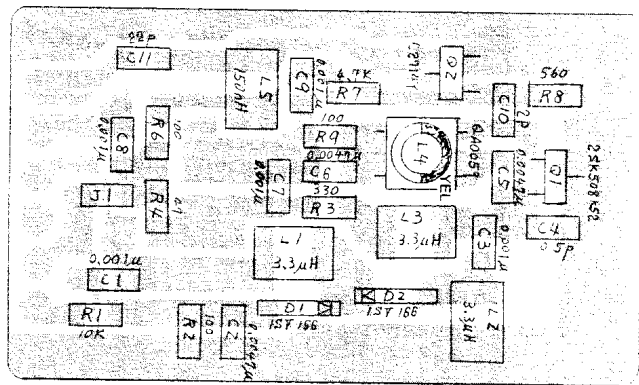
■ VHF PLL, VCO SCHEMATIC DIAGRAM



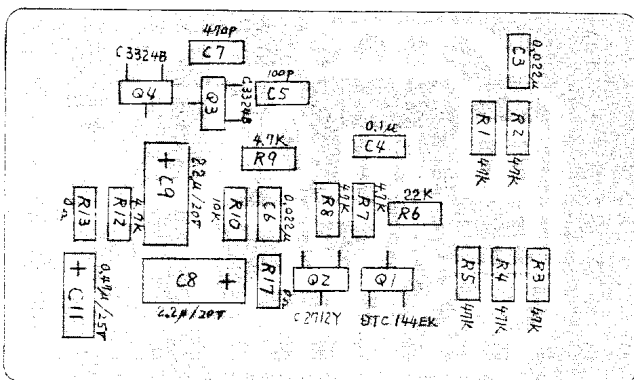
■ VHF PLL, VCO PC BOARD



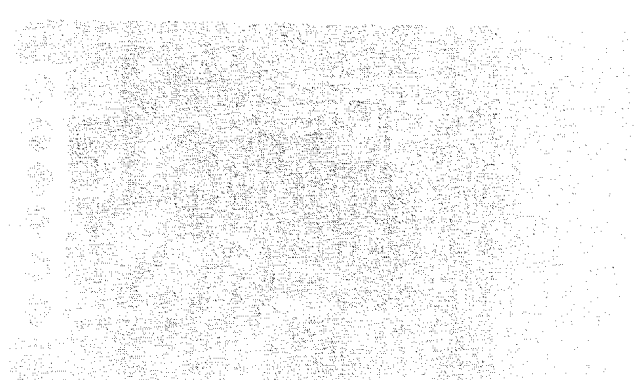
PLL (Part)



VCO (Part)

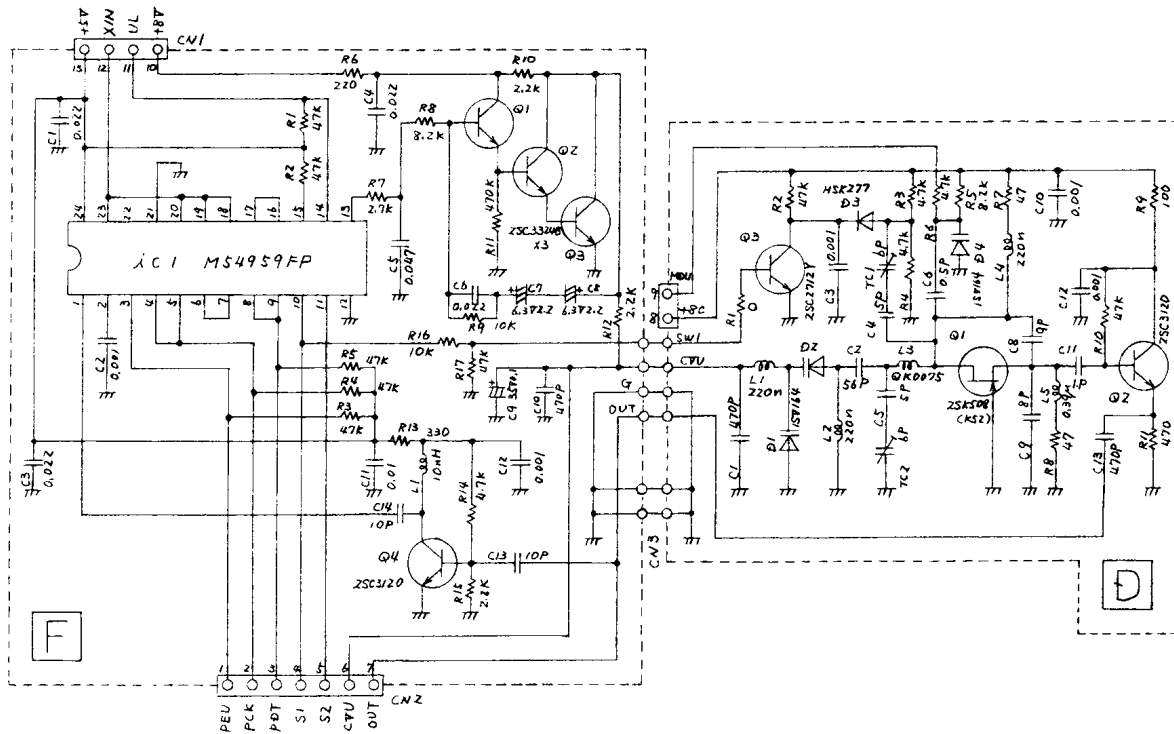


PLL (Solder)

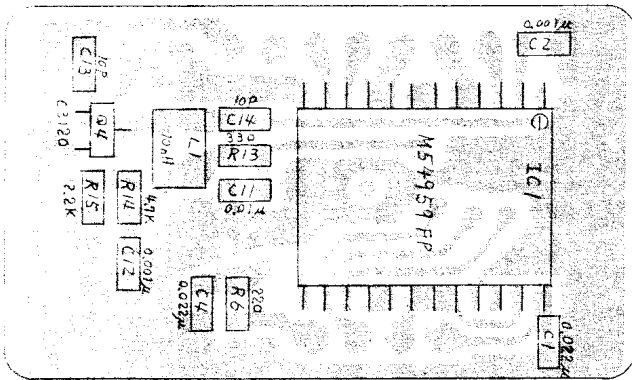


VCO (Solder)

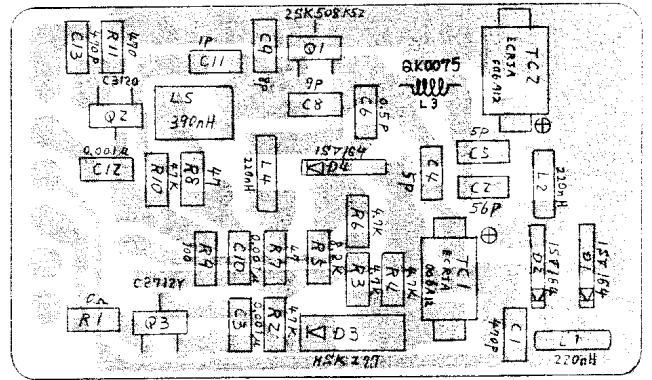
UHF PLL, VCO SCHEMATIC DIAGRAM



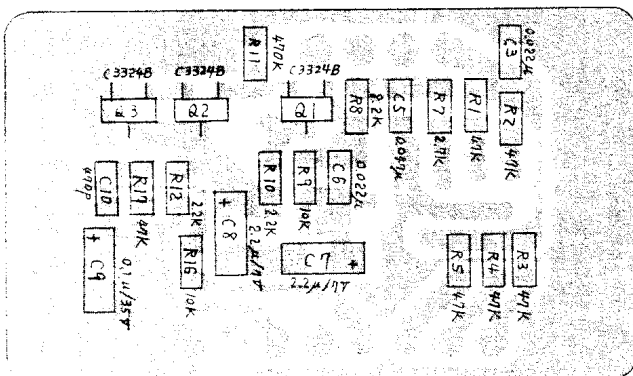
UHF PLL, VCO PC BOARD



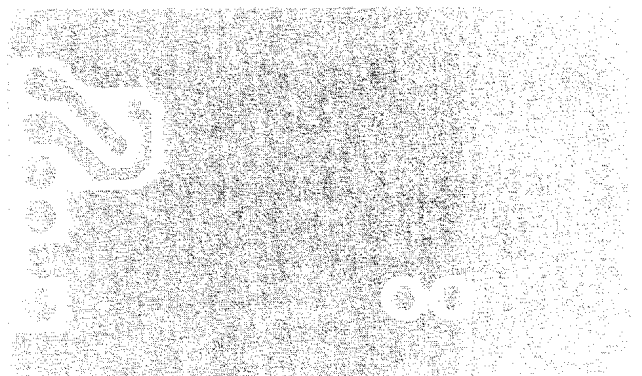
PLL (Part)



VCO (Part)

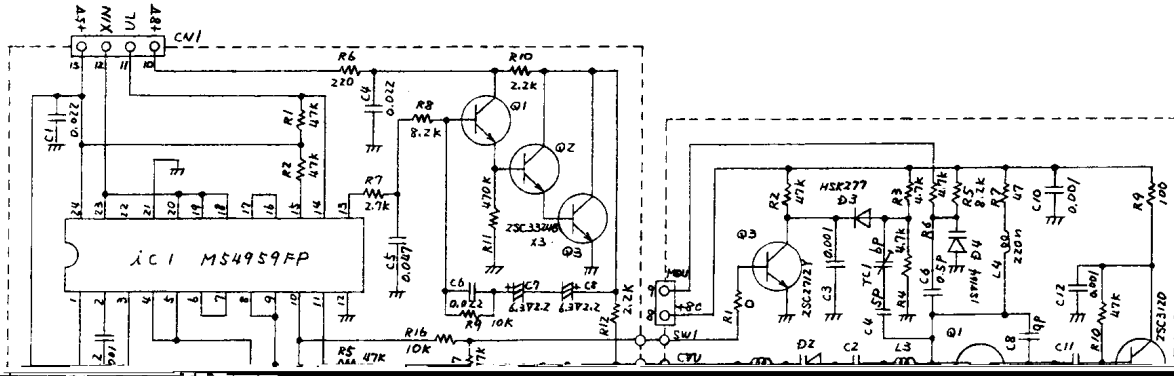


PLL (Solder)

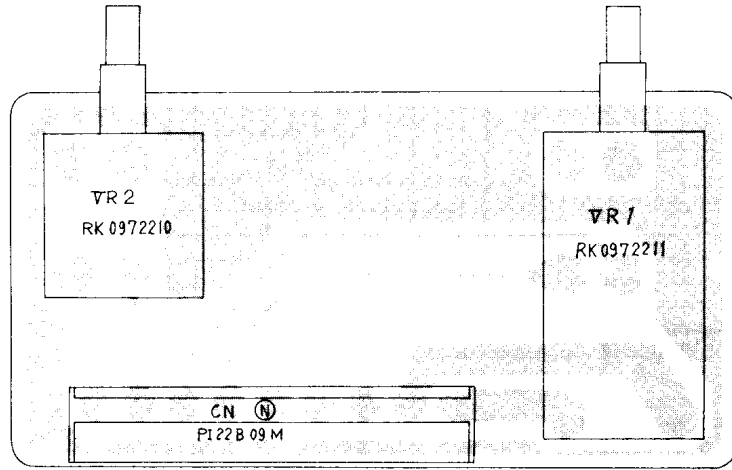


VCO (Solder)

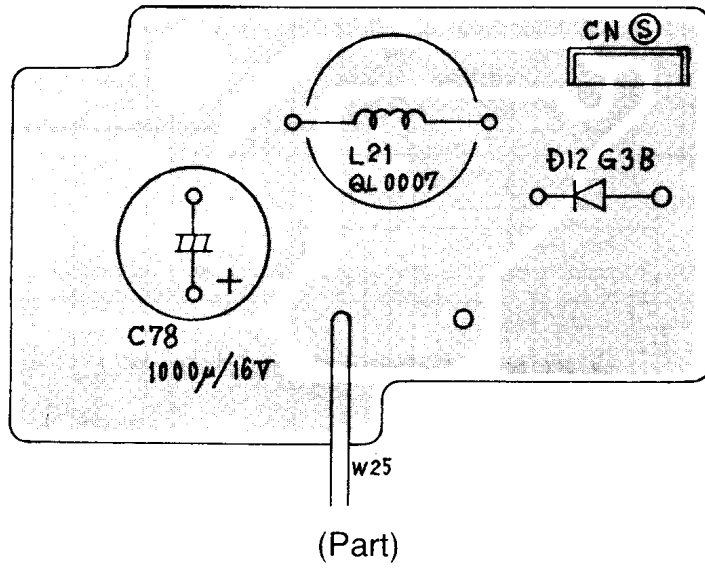
UHF PLL, VCO SCHEMATIC DIAGRAM



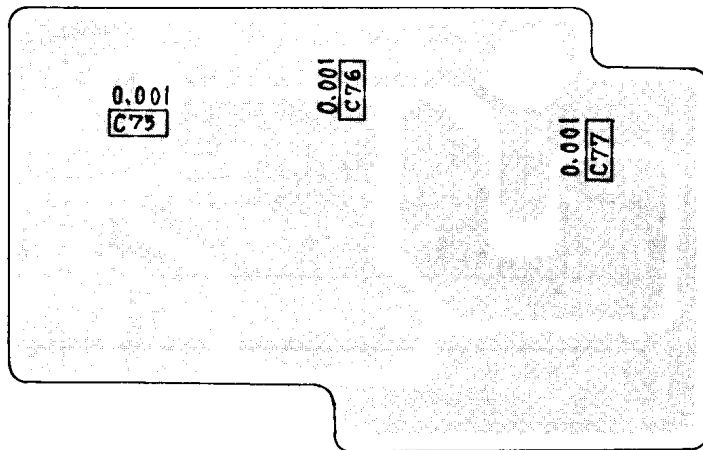
■ VOL PC BOARD



■ POWER SUPPLY PC BOARD

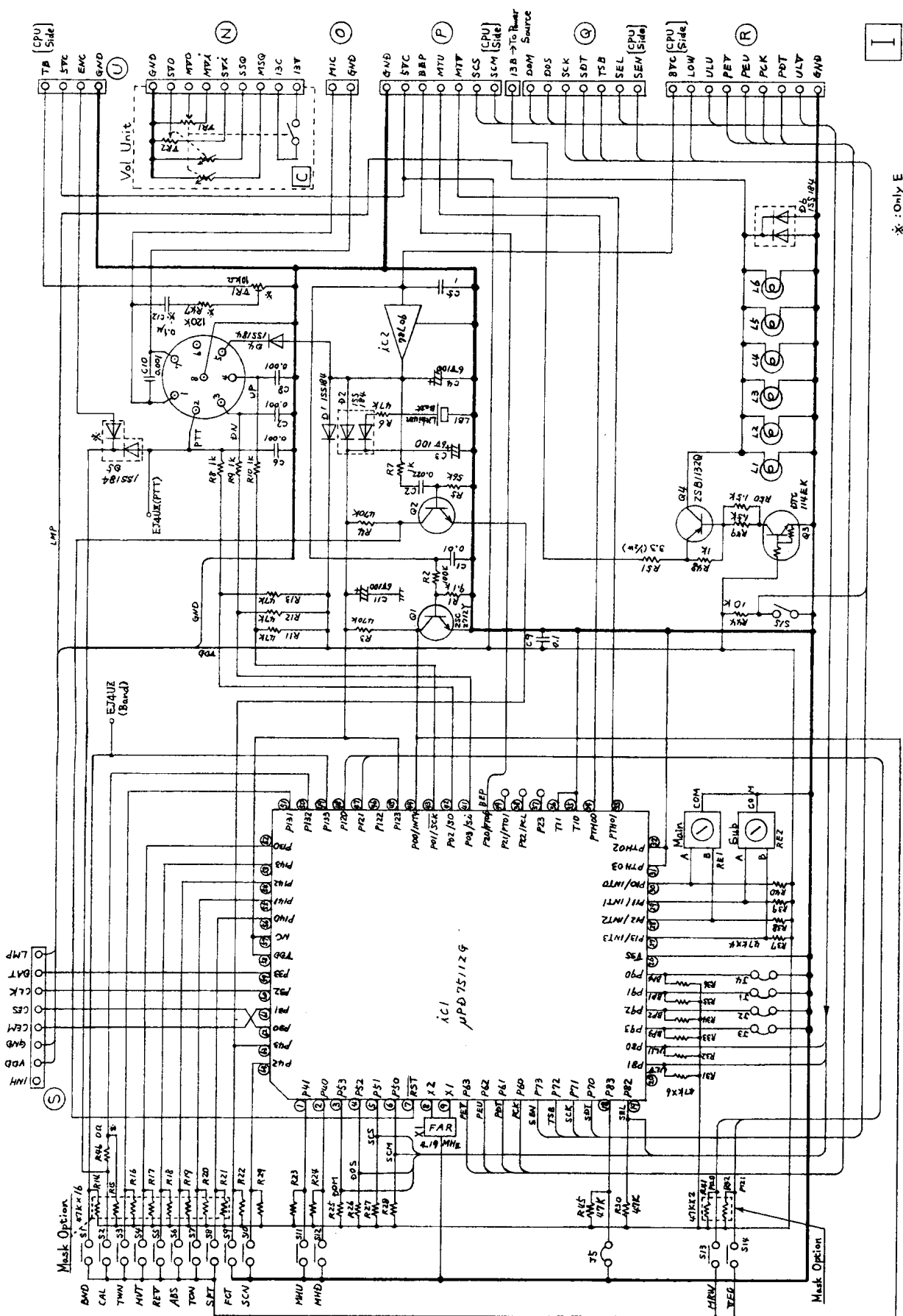


(Part)



(Solder)

■ CPU SCHEMATIC DIAGRAM



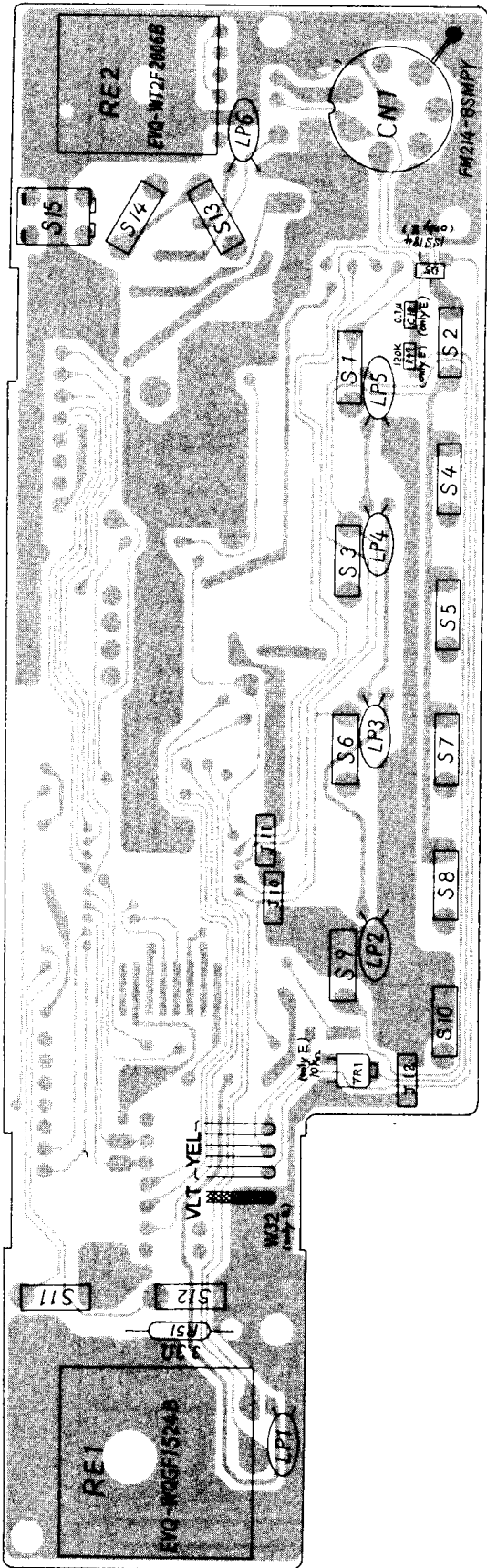
Connection of Unused Terminals

| Part | 1/2 | 1/4 | 1/8 |
|---------|-----|-----|-----|
| P21/P20 | 0 | L | L |
| P12/P11 | 0 | L | L |
| P23 | 0 | L | L |
| PTH02 | A | L | L |
| PTH03 | A | L | L |
| T10 | A | L | L |
| T11 | A | L | L |
| P122 | A | H | L |
| P123 | A | H | L |

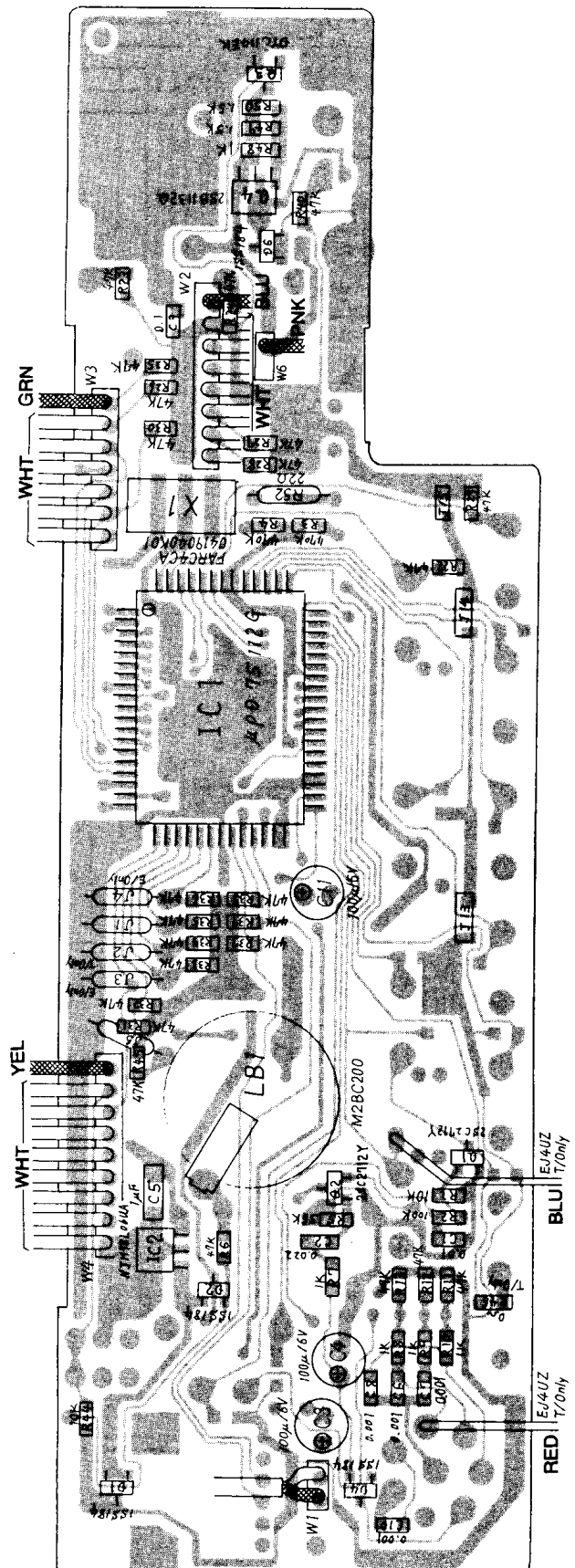
| Mark | BY | HW | E |
|------|----|----|---|
| R46 | X | X | 0 |
| R47 | X | 0 | 0 |
| C12 | X | 0 | 0 |
| D5 | X | 0 | 0 |
| T1 | X | 0 | 0 |

*: Only E

■ CPU PC BOARD

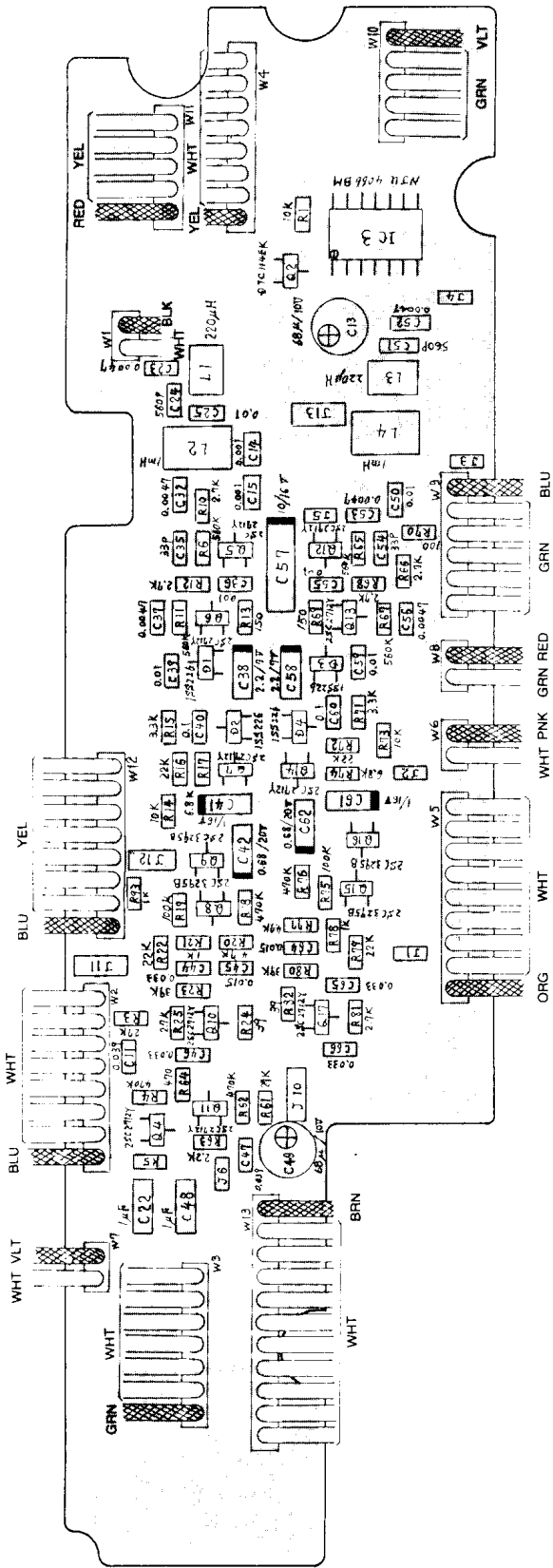


(Part)

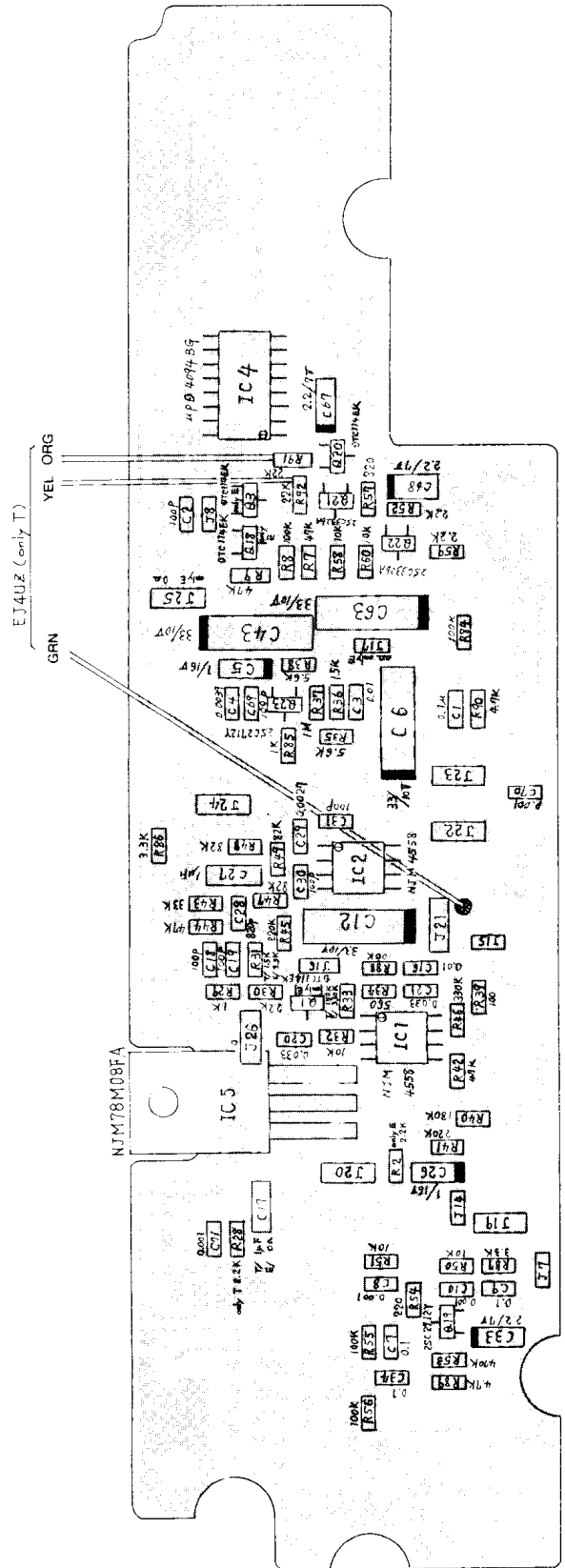


(Solder)

CONTROL PC BOARD

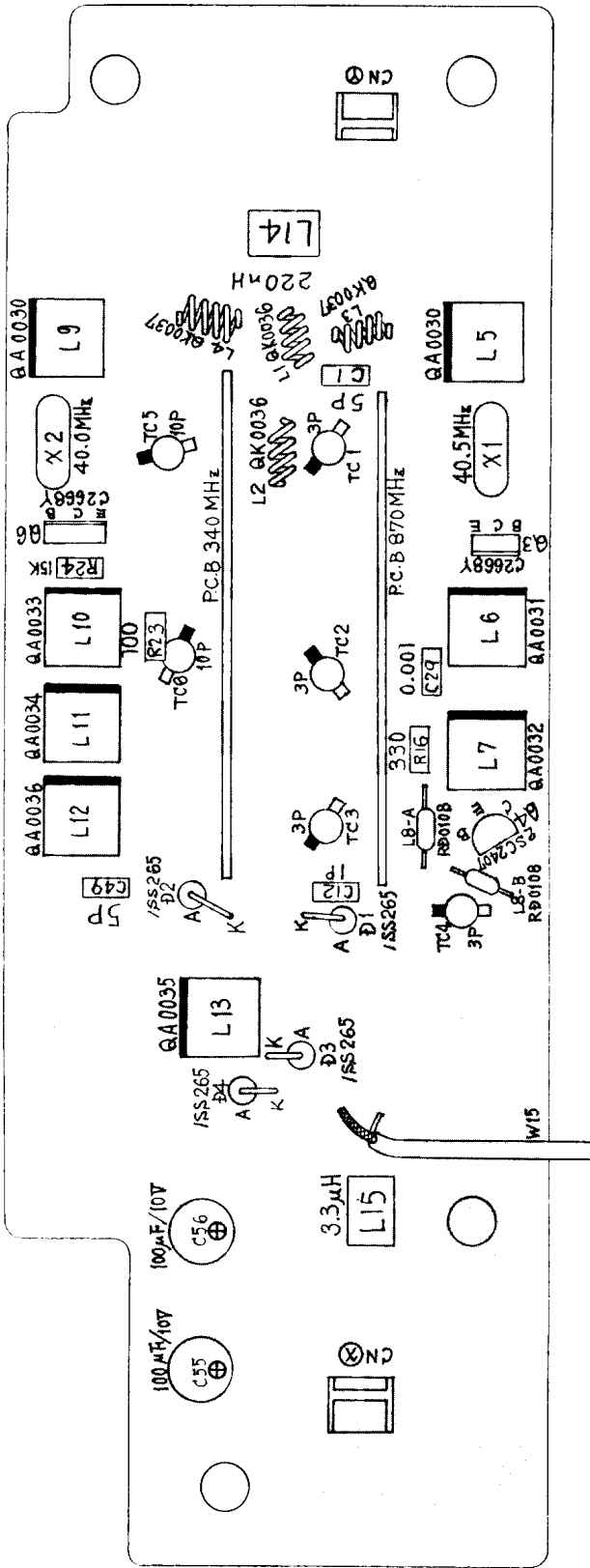


(Part)

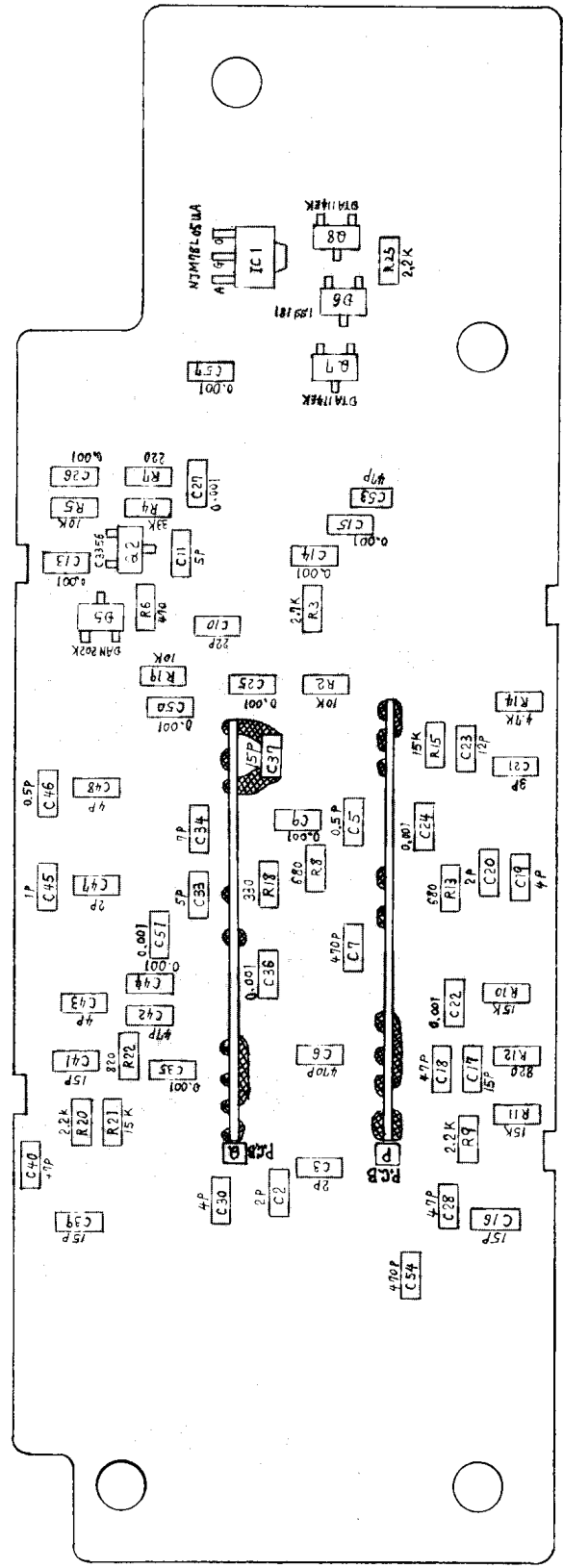


(Solder)

■ X'CON PC BOARD

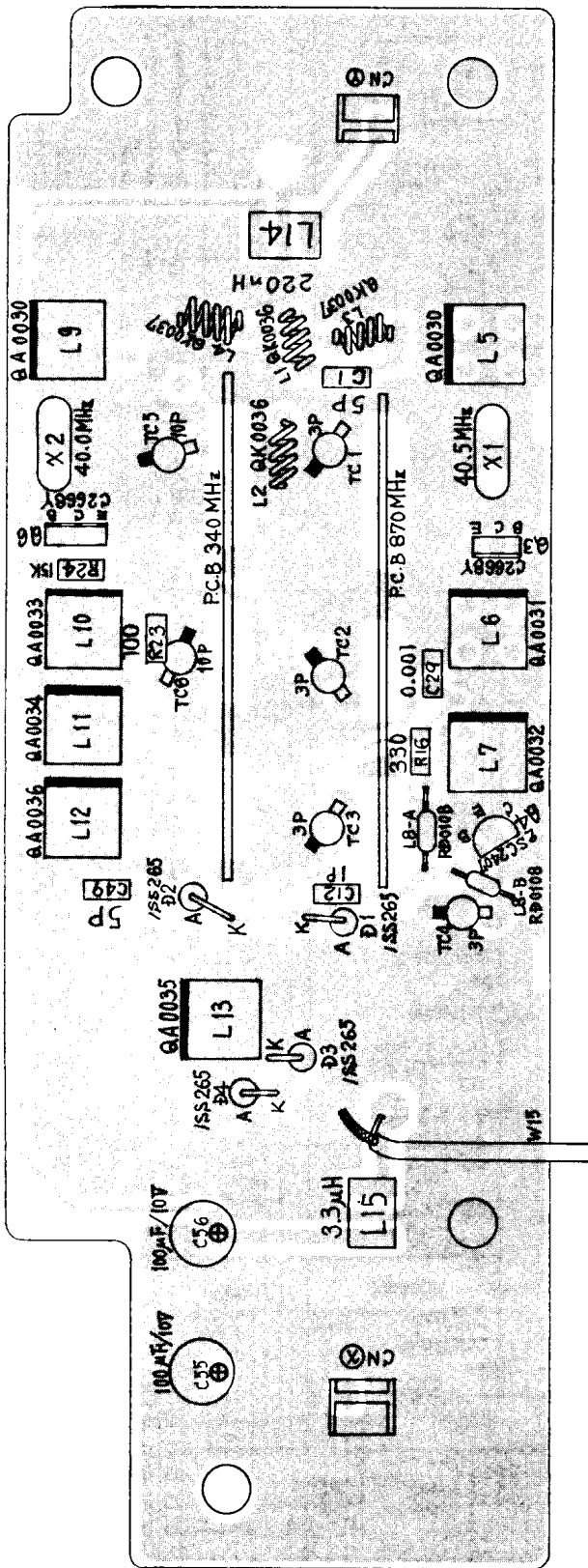


(Part)

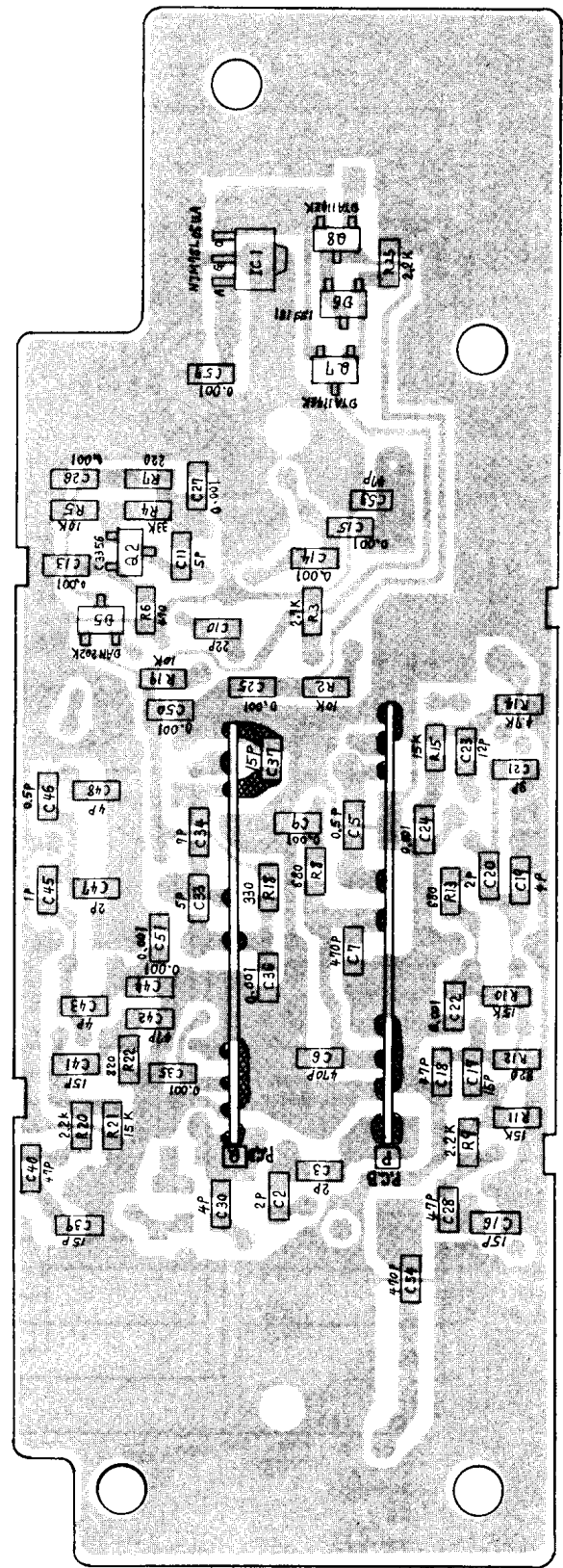


(Solder)

■ X'CON PC BOARD

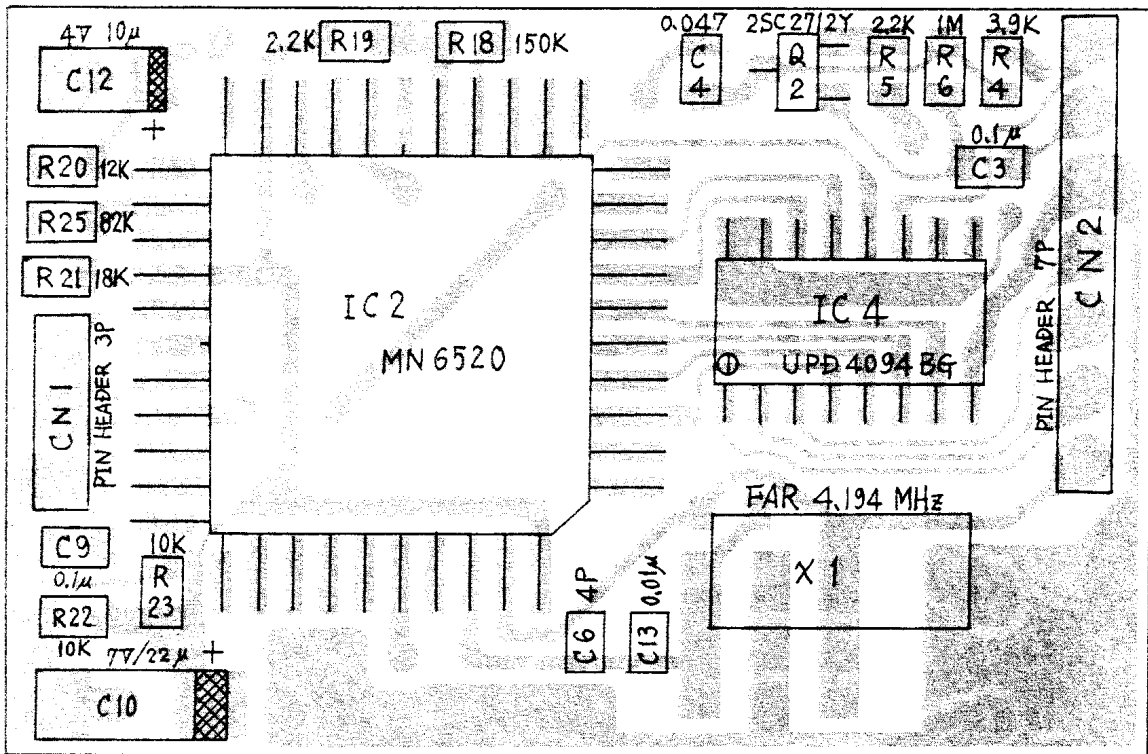


(Part)

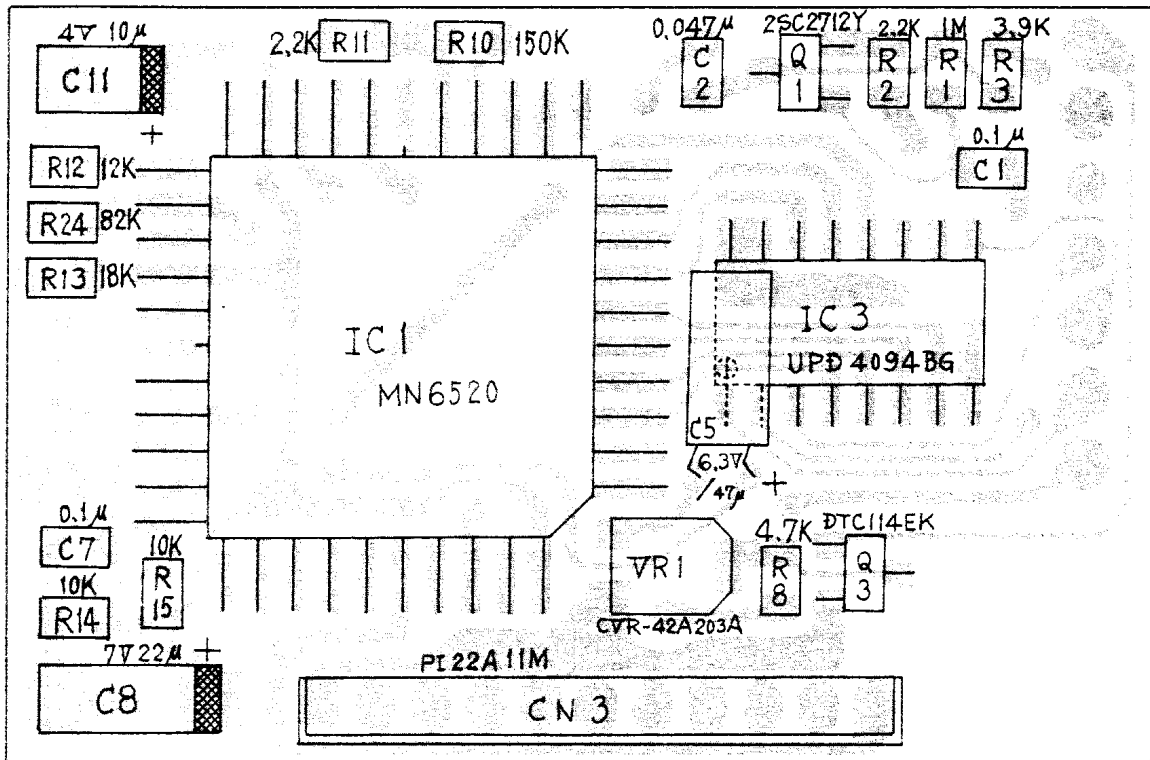


(Solder)

■ CTCSS PC BOARD (T only)

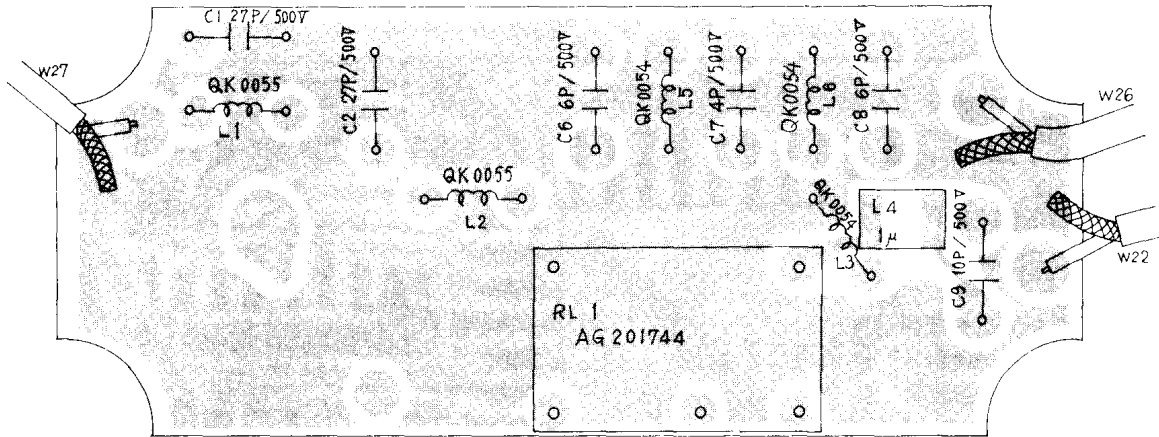


(Main)

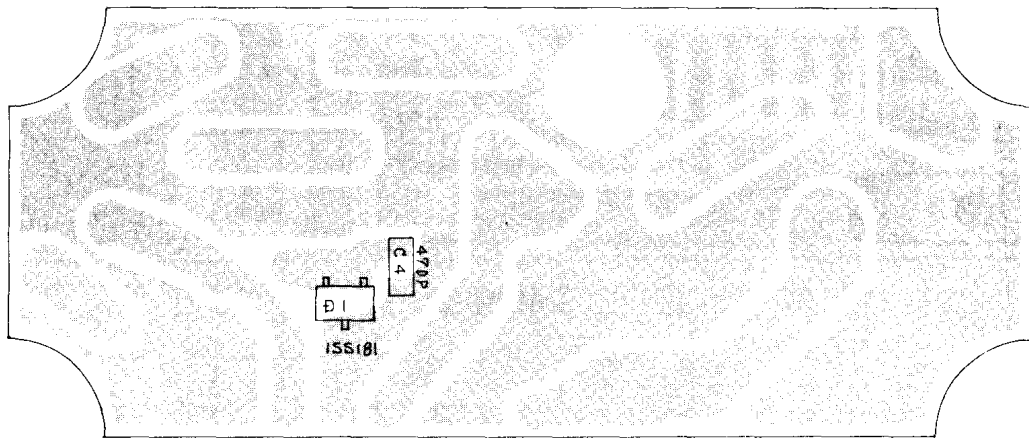


(Sub)

■ DUPLEXER PC BOARD



(Part)



(Solder)

■ TONE SQUELCH SCHEMATIC DIAGRAM

